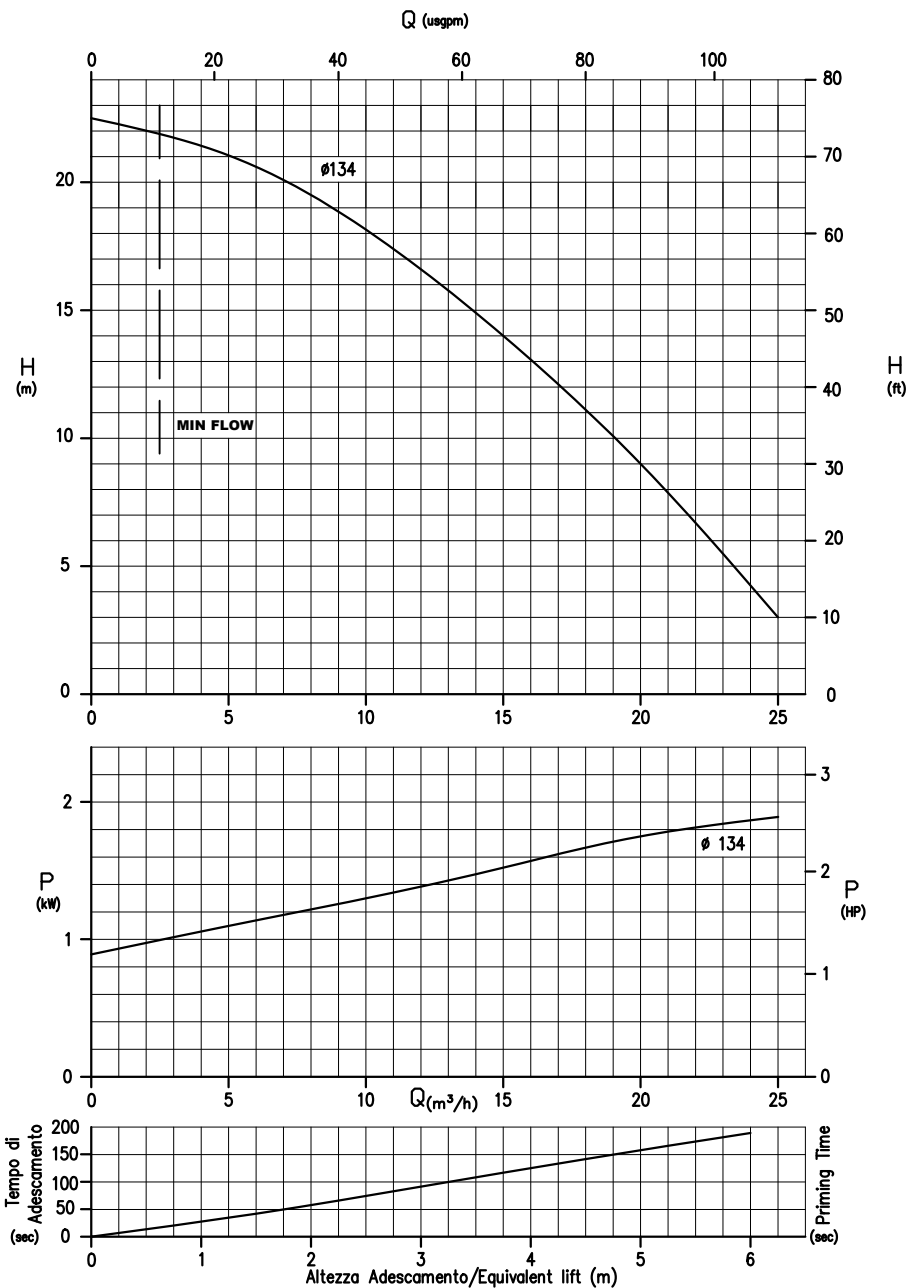


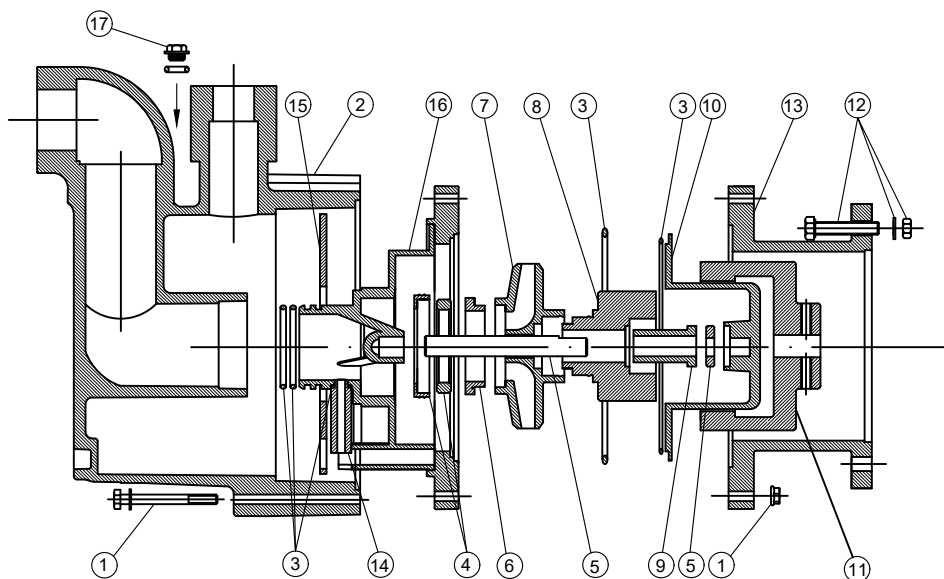
FEATURES/CARATTERISTICHE

Materials available/Materiali disponibili:	PP;PVDF
Max flow/Portata massima:	25 m ³ /h
Max head/Prevalenza massima:	22.5 m
Max temperature/Temperatura massima:	PP 60°C;PVDF 90°C
Max viscosity/Viscosità massima:	20 cSt
Pressure rating/Pressione nominale massima:	NP/PN 6 @ 20°C
Pump weight/Peso pompa:	PP: 15 Kg;PVDF: 20 Kg
Motor weight/Peso motore (approx.):	3.0 kW: 23 Kg 4.0 kW: 31 Kg

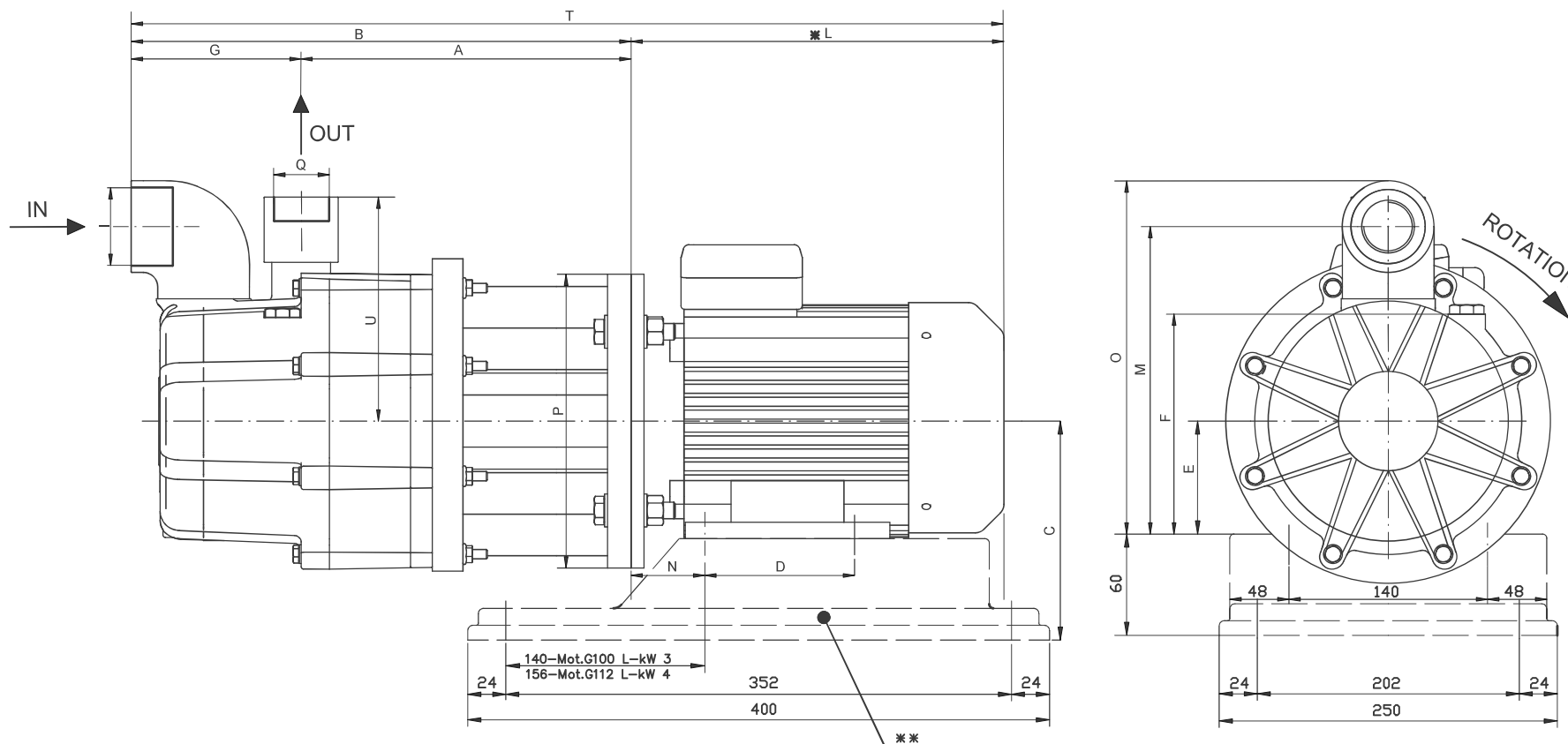
CURVES/CURVE 50HZ-2900 RPM



SECTION AND PARTS LIST/SEZIONE E LISTA PARTI



1	2	3	4	5	6	7	8	9	10	11	12	13	14	15	16	17
SET SCREWS	PUMP HOUSING	O-RING	CASING THRUST BUSH	SHAFT+RING	IMPELLER THRUST BEARING	IMPELLER	INT. MAGNET	BEARING	REAR CASING	EXT. MAGNET	SET SCREWS	BRACKET	VENTURI CONNECT	DISC	INTERNAL CASING	FILL PLUG + O-RING
AISI304	PP or PVDF	EPDM or VITON	Al2O3(99.7%) + EPDM or VITON	Al203(99.7%)	PTFEC	PP or PVDF	PP or PVDF NdFeB	PTFEC	PP or PVDF	CS NdFeB	AISI304	PP	PP or PVDF	PP or PVDF	PP or PVDF	PP+EPDM or PVDF+VITON



PUMP TYPE	MOTOR FLANGE B3/B5	POT. kW	DIMENSIONS - mm -															
			A	B	C	D	E	F	G	I	L	M	N	O	P	Q	T	U
HTM 31 SP	G 100 L	3	280,5	425	160	140	100	191	144,5	1 1/2 FEMMINA	317	265,5	63	304,5	250	1" FEMMINA	742	190,5
	G 112 M	4	280,5	425	160	140	100	191	144,5	1 1/2 FEMMINA	317	265,5	63	304,5	250	1" FEMMINA	742	190,5

* Different according to the manufacturer / Diverso a seconda del fornitore
 ** OPTIONAL-UPON REQUEST/SU RICHIESTA: Baseplate/Piede d'appoggio -