



HTM SS 316 PUMPS
EM-C PUMPS (ATEX VERSION)

Metallic mag-drive centrifugal pumps



**INSTALLATION, OPERATION AND
MAINTENANCE MANUAL**

Translation of the original instructions

(SAFETY INSTRUCTIONS)

Index

1. INTRODUCTION.....	4
1.1 General	4
1.2 Purpose of the manual	4
1.3 Warning symbols for safety	4
1.4 Qualification and training of the personnel	4
1.5 Explosive Atmosphere Zones	5
2. INSTALLATION.....	5
Preliminary remarks.....	5
2.1 Safety general warnings	5
2.1.1 Introduction about danger.....	5
2.1.2 Indications of danger.....	5
2.2 Receipt and Inspection.....	7
2.3 Storage.....	7
2.4 Installation.....	7
2.5 Hydraulic system	7
2.6 Pipes connection.....	8
2.7 Monitoring equipment	8
2.7.1 Control of pump in explosive atmosphere zones	9
2.8 Motor Connection.....	10
3. OPERATION	11
3.1 Use and safety.....	11
3.2 Dry-running	12
3.3 Temperature.....	12
3.4 Before starting	12
3.5 Starting	12
3.6 Optimum conditions for use.....	13
3.7 Shut down.....	13
3.8 Long pump inactivity	13
3.9 Noise level.....	14
4 MAIN PARTS	14
4.1 HTM 6-10-15-31 SS316 Family.....	14
5. MAINTENANCE	15

5.1 General dispositions	15
5.2 Inspections	15
5.3 Procedure before disassembly.....	16
5.4 Disassembly	16
5.4.1 Disassembly the pump from the motor	17
5.4.2 Pump disassembly	18
5.5 Assembly	19
5.6 Motor replacement.....	19
5.7 Video Tutorial.....	19
5.8 Tightening torque.....	20
6. PROBLEM SOLUTIONS	20
7. SPARE PARTS	21
7.1 How to order spare parts.....	21
7.2 Accessories for the HTM SS 316 series	21
7.2.1 Baseplates.....	21
7.2.2 A1-13Y – Dry-Running Protection Device	21
8. DATA	22
8.1 Performance curves	22
8.2 Dimensions	23
8.3 Technical data and limits.....	25
9. WARRANTY AND REPAIR.....	25
9.1 Warranty.....	25
9.2 Returned parts and repair	26
9.3 Decontamination Declaration (facsimile).....	27
9.4 CE CERTIFICATE FOR PUMPS SERIES HTM SS316 ⁽⁵⁾	28
9.5 ATEX / EC Declaration of conformity (facsimile) ⁽⁶⁾	29

1. INTRODUCTION

1.1 General

This manual refers to mag drive centrifugal pumps of HTM SS316 series (EM-C for ATEX applications). Pumps of series HTM SS are made of stainless steel or other metallic materials and can be of different sizes. Dimensions and capacities available are described in paragraph 8.1/ 8.2

1.2 Purpose of the manual

The main purpose of this manual is to assure that the activities of installation, operation and maintenance of the pumps are executed in a correct and safe way by all the personnel in charge of these operations. This document offers also indications useful for the customer to solve the problems, order spare parts and contact GemmeCotti repair service.

ATTENTION: check on our website www.gemmecotti.com if there are further revisions to this manual. You can also find the original instructions written in Italian.

1.3 Warning symbols for safety



This symbol indicates a possible danger caused by the presence of electrical fields, contacts or wires with electric current.



All the symbols with the exclamation mark indicate an important situation that needs the attention of the personnel. In particular, these are indications useful for the correct functioning and prevention of possible damage to the equipment



This symbol indicates the presence of strong magnetic fields which can damage or compromise the functioning of other equipment nearby.



This symbol signals a danger or a situation that requires the maximum attention of the personnel. It's important to respect the instructions stated at the margin of this symbol and proceed very carefully. It's necessary to inform all the personnel and/or users that the rules indicated prevent injuries.

1.4 Qualification and training of the personnel



Those in charge of the installation, operation and maintenance of the pumps have to be qualified to carry out the actions indicated in this manual. GemmeCotti is not responsible for the inadequate qualification and training of the customer's staff or for the lack of information of the staff regarding the contents of this manual. It's compulsory to always show this manual to the workers in charge of the installation, operation and maintenance of the pump. Keep this manual in a safe place for future consultations.

1.5 Explosive Atmosphere Zones

Pumps series HTM SS 316 cannot be used in potentially explosive atmospheres. These uses require special pumps that GemmeCotti manufactures with particular materials and precautions. Customers who want to use special pumps in these kind of zones have to contact the GemmeCotti technical office for the correct choice of the product.

The pumps, manufactured by GemmeCotti, for these kind of applications belong to the series EM-C or EM-T or EM-P.



WE REMIND YOU THAT THE CLASSIFICATION OF THE ZONE (REF. ATEX 2014/34/EU FORMER 94/9/CE DIRECTIVE) FOR POTENTIALLY EXPLOSIVE ATMOSPHERE ZONES HAVE TO BE DONE BY THE CUSTOMER AND COMMUNICATED TO GEMMECOTTI FOR THE RIGHT CHOICE OF THE TYPE OF PUMP SUITABLE TO WORK IN THESE ZONES.

The pumps model EM-C, in AISI316 can be installed in ATEX group II category 2 G Ex h IIC T6 areas... T... Gb and Group II Category 3 G Ex h IIB T6 Gc Refer to section 2.7.1. for more information.

The customer is responsible of the correct installation of the pump in accordance with the requirements stated in the Directive.

GemmeCotti will supply together with the pump the ATEX Conformity Declaration as per “facsimile” at paragraph 9.5.

2. INSTALLATION

Preliminary remarks

All the references to the pumps have to be considered applicable also to systems that use these pumps unless it's specified otherwise.

2.1 Safety general warnings¹

2.1.1 Introduction about danger



ATTENTION: the non-observance of the indications stated in this manual or the inappropriate use of the equipment by unqualified or unauthorized staff, can cause serious personal injuries or death and damages to products and apparatus!

The technical assistance office is at the complete disposal; in case of doubts or problems you can contact us by phone (Number +39 02 964.60.406) or write an email to info@gemmecotti.com. It's strongly recommended that you keep GemmeCotti written answer.

2.1.2 Indications of danger



For the safety of those in charge of the installation of the pump it's necessary to use safety clothing and individual safety devices approved by the current provisions of the law (e.g.

¹ If these warnings are not observed the Certification and the Warranty of the pump can be invalidated

Safety glass, gloves and safety insulating-shoes).



The pump contains particularly powerful magnets. It's forbidden for those who have cardiac pacemakers, defibrillators, electronic medical devices, metallic heart valves, metallic prosthesis or sickle cell anaemia, to handle or be in the proximity of the magnets contained inside the pumps. Consult a health care provider for specific recommendations before working with these pumps.



The powerful magnetic fields in the proximity of the pumps can damage heart pacemakers, watches, credit cards, discs and magnetic tapes inside calculators and computers.



When working in the proximity of pumps, consider that the devices or metallic parts that you are handling can be unexpectedly attracted towards the pump causing possible crushing of fingers or hands.



These pumps have been designed and manufactured to be used in specific conditions and within defined limits. The use outside these specifications has to be agreed and approved by the GemmeCotti technical service. **It must be considered also that, if the pumps are used outside their technical specifications, the CE Certifications and the warranty are no longer valid. Furthermore, if the pump is used outside the technical specifications communicated to us at the moment of the quotation and confirmed in our order confirmation, the customer becomes responsible for the issue of a new CE Certification.**



The pump has to be used only for the applications specified in the order for which GemmeCotti has selected the model, the materials of construction and has tested the pump to respect the specifications. For other uses different from those stated in the order, the customer has to send always a written request to the GemmeCotti technical office, which on its part will reply in a written form.



There will not be any warranty for repairs or alterations on the product done by the users or third parties not specifically authorized by GemmeCotti.



Always shut down the pump before touching or proceeding with any intervention on it or on the circuit of installation. The pump must be empty of pumped liquid and it must be completely decontaminated and successfully rinsed with water before any manual operations or disassembling.

Make sure that the electrical system to which the pump will be connected has the adequate power and has the correct protection devices (e.g. Grounding, Life safe).

Always switch off the electrical supply before working on the pump for maintenance or part substitution.



Always keep an extinguisher next to the pump installed.



Always pay maximum attention in the execution of maintenance activities on pumps and on the connected circuits when they are used with dangerous liquids.



The use of an electric starter is recommended. A simple switch can be insufficient to start and stop the electric motor connected to the main electric system.



An appropriate starter:

- can prevent accidental starting after a failed attempt to start:
- is a safe switch, protected against water:
- protects the electric motor against overloads due to a short circuit (a fuse protects only the wires);
- resists against starting in overload on the motor, preventing dangerous electric arc and early wear of the electrical contacts.

2.2 Receipt and Inspection

Even if GemmeCotti takes all the necessary precautions during the packaging, we suggest that you carefully check the received material. Check for any missing parts caused by the courier and/or by GemmeCotti.

Check the data on the label of the received pump and compare it with those relative to your purchase order.

If the pump has been supplied with the motor, remove the protective shield from the fan of the motor and try to rotate the motor shaft by hand. If you feel a strong resistance to rotation or if you hear anomalous noises call your reliable reseller or call the GemmeCotti assistance service directly. Reassemble the protective fan shield before starting the pump.

2.3 Storage



If the pump is kept in the warehouse make sure that it's placed in a dry and protected position; always use the original package or an equivalent protection. If the pump has to remain stored for a long period and/or in particularly damp places the use of hygroscopic substance (silica gel) is recommended to prevent damages.



Don't remove the protections of the flanges until the installation and close, if they are not closed already, the discharge and suction pump connections to prevent the intrusion of foreign bodies.



Be informed that a long period of storage of the pumps can provoke:

- deterioration of the isolation of the motor due to absorption of dampness
- deterioration of the gaskets

2.4 Installation



GemmeCotti s.r.l. is not responsible for injury to people or damage to things caused by the wrong installation of the pump or installation executed by non-qualified personnel.

Install the pump in a position that guarantees a simple use.



The unit motor/pump has to be fixed on a rigid structure that will enable the support of the entire structure. Make sure that the pump is fixed on a plane surface. You can use the baseplates supplied by GemmeCotti in order to assure a perfect pump position or as an alternative use shims under the base-plates of the motor. If necessary use "bumpers" to reduce vibrations towards the fixing surface.

2.5 Hydraulic system

The pump is generally part of a hydraulic system that can include a various number of

components such as, valves, fittings, filters, expansion joints, instruments, etc. The way the piping is arranged and the position of the components has a great influence on the operation and on the life of the pump.



It is better to rinse the internal pipes of new plants before installing the pump in order to remove possible debris which can enter the pump and damage it.

2.6 Pipes connection²

Locate the pump as near as possible to the liquid source and below the level of the liquid (under the head).



Always use pipes as short and straight as possible and limit the number of bends assuring a radius of curvature as large as possible. Avoid turbulences and air siphon that can be created in the long piping line. Avoid the creation of siphon before the suction of the pump.



The piping should be properly supported and kept in line independently from the pump, until its connections, so that the piping doesn't exert loads on the pump.



The sizes of the suction and discharge pipes have to be at least as large as the inlet connection of the pump. Diameter restriction of the suction pipe is responsible for and a cause of the cavitation of the pump, creating a loss in the performance of the pump and rapid wear. It's advisable always to use (if in case) flexible reinforced pipes that don't collapse under a situation of depression.



The suction line has to be clean and/or contain a filter to protect the impeller from damage due to impurities, or other foreign particles, especially when starting the plant for the first time.

The installation of a proper pressure gauge on both the suction and discharge piping is recommended. The installation of gauges allows an easy control of the correct functioning of the pump in relation to the required working point. In the case of cavitation or other dysfunctions, the gauges will show evident pressure fluctuations.

In the execution of connections and supports to piping it's necessary to pay attention to the thermic expansion.

2.7 Monitoring equipment

According to the importance of the pumping system, it could be useful to maintain a strict control of the performances and conditions of the process. The use of instruments to monitor the pressure of the suction and discharge circuit is recommended.

Even the monitoring of the electric power absorbed by the motor is possible using a wattmeter.



If the temperature of the pumped liquid represents a critical element install in the system a thermometer, preferably on suction line.

These control instruments can advise of abnormal operating conditions of pumps such as: accidentally closed valves, missing liquid, overloads etc.

² If these warnings are not observed the Certification and the Warranty of the pump can be invalidated

2.7.1 Control of pump in explosive atmosphere zones



In addition to respecting the general warnings stated in this manual, special pumps used in potentially explosive areas have to be installed with control equipment specified in this paragraph to maintain a strict monitoring of the performances and process conditions. The control equipment mounted near the pump has to be certified for the same hazardous zone as the pump installed unless it's protected by an airtight closure cabinet also certified.

The installation of pumps type EM-(C-T-P) for use in potentially explosive areas has to follow the rules stated in the ATEX 2014/34/EU Directive.

In particular the requirements referred to the manufacturer that are applicable to apparatus of Category 2 of Group II (explosive atmosphere due to gas, vapours or mists presence) are the following:

- the devices have to be designed and manufactured so that they avoid trigger sources, even in case of recurrent anomalies or functioning defects of the apparatus which it's usually necessary to consider.
- The parts of the equipment have to be designed and manufactured so that the maximum surface temperature prescribed is not overcome (paragraph 3.1), even if the risks come from anomalous situations foreseen by the manufacturer.

In particular the requirements referred to the manufacturer applicable to apparatus of Category 3 of Group II (explosive atmosphere due to gas, vapours or mists presence) are the following:

- the devices have to be designed and manufactured so that they avoid trigger sources predictable during normal functioning.
- During expected functioning conditions, the surface temperatures must not exceed the maximum temperatures indicated (paragraph 3.1). An eventual overcoming is endurable, in exceptional cases, if the manufacturer adopts extra special protections.

The temperature classes are defined for the final user as per following table:

Temperature class acc. to ISO80079-36	Limit value of the temperature of the liquid
T6 (85°C)	60°C
T5 (100°C)	75°C
T4 (135°C)	110°C
T3 (200°C)	175°C

- Room temperature must be between -20°C and 40°C as per ISO 80079-36
- Pumping liquid temperature has to be monitored in the suction line
- Warning: table temperature ranges are valid only in conditions of proper operation (rpm, flow, head and NPSHa), lubrication and maintenance
- In any case, the fluid temperature must not exceed the pump's maximum or minimum design temperature (see paragraph 3.1)



For the control of the pumping status all the pumps supplied for Category 2 have to be equipped with a Thermal probe (PT100 ATEX) to check the surface temperature of the pump. The Thermal probe can be installed by the customer in the proper nozzle on the pump bracket. To guarantee the complete monitoring of the pump and prevent early wearing, the PT100 monitoring device can be set at 15°C/20°C above the maximum liquid temperature. Temperature reference is stated on the basis of a water like fluids. Big differences in fluid heat capacity have to be taken into account to adjust the PT100 setting temperature.



It is not recommended to mount a filter on the suction line to avoid obstruction of the suction of the pump which can cause cavitation and/or dry running. A suction filter can only be useful in the start-up phase of the system, for cleaning it, and in any case it must be monitored to avoid blockages which would lead to the correct functioning of the pump.



To avoid unacceptable or dangerous functioning conditions, it's obligatory to install an adequate measuring instrument for the constant control of the absorbed power of the pump. If unacceptable working conditions are revealed, the pump has to be automatically stopped and checked. The control equipment, if installed near the pump, has to be ATEX certified for the same hazardous zone as that identified for the pump, unless it's protected by airtight closure cabinet also ATEX certified.



NPSHa can decrease with the installation of a valve on the suction line, in this case it is advisable to install a flow meter to check possible changes of value.

The pump is completely manufactured with conductive materials and so with an accurate ground connection of the pump body there can't be unwanted electrostatic charges, sources of explosion trigger.



Pumps supplied for ATEX zone 1 or 2 must be coupled to suitable Ex-proof motors.

ATTENTION: for a complete unit pump with motor with various temperature classes, the lowest class in each case applies (example: Pump T4, motor T3= T3 applies)

2.8 Motor Connection

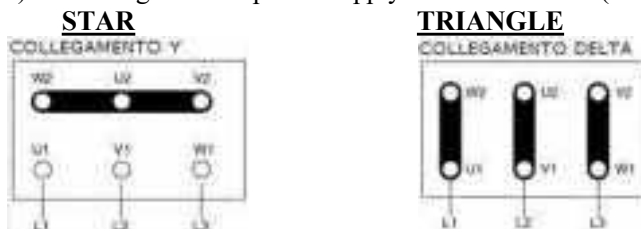


Check that the tension and frequency printed on the label of the motor correspond to those of the electric system to be used.

Don't connect the electric motor directly to the main system but protect the dedicated system with a suitable main switch with adequate safety protections against overloads.



The electric connections have to be always carried out by an expert qualified electrician. The motors have to be supplied with three-phase tensions or if required by the customer, with mono phase tension. The type of connection of the three-phase motors can be Star (Y) or Triangle (Δ) according with the power supply 400 or 230 VAC (see picture 1).



Picture 1



Make sure that the sense of rotation of the motor is that specified on the pump head and eventually indicated by a sticker arrow on the motor fan cover; to change the sense of rotation it's sufficient to change two of the three entering line (E.g. L1 with L2) in three-phase motors.

To test the direction of rotation, follow these instructions:

- wear individual homologated protection devices (e.g. Gloves, glasses)
- make sure that the operating conditions are analogous to the specifications of the pump (see paragraph 7)



- install the pump in the hydraulic system
- open the suction and the discharge valve completely;
- fill the pump with the liquid. It's recommended to perform this test with an inert liquid like water
- do not run the pump dry (Note: the design of mag drive pumps don't allow dry running because it causes damages to the inner components of the pump)
- start the motor only for one or two seconds to check that the sense of rotation is in the same direction of the arrow on the pump head or on the motor and on the technical drawing of the pump (the sense of rotation is clockwise looking at the front of the pump and counterclockwise looking at the motor fan).

NOTE: a pump turning backwards will pump but at a greatly reduced capacity and pressure

3. OPERATION

3.1 Use and safety

ATTENTION:

Dangerous or hazardous actions can cause serious injuries or death to people or serious damage to materials and so it's important to assure the respect of all the warnings relative to the safety and the correct use written in this manual.



Verify always that the pumped liquid is compatible with the materials of construction of the pump. For any clarification please contact GemmeCotti technical office.



In case of use for pumping aggressive, toxic liquids or liquids dangerous for the health of the personnel, it's necessary to install on the pump an adequate protection for the containment, the collection and the warning of any dangerous product in case of leakage: e.g. DANGER OF POLLUTION, CONTAMINATION, INJURIES AND/OR DEATH



Do not pump liquids containing solids in suspension. Mag drive pumps are designed to pump clean liquids. It is NOT recommended to mount the filter on the suction line to avoid obstruction of the suction of the pump which can cause cavitation and/or dry running. A suction filter can only be useful in the start-up phase of the system, for cleaning it, and in any case it must be monitored to avoid blockages which would lead to the incorrect functioning of the pump. Avoid in particular to pumping liquids containing ferro oxides or other ferromagnetic particles, even if small. If you are in doubt, please call GemmeCotti technical service (tel. +390296460406).



Do not reduce the suction. Reduction of the suction is responsible of the cavitation of the pump, which causes a loss of efficiency and a rapid wear. Reduction of the discharge are not advisable, if required, reduction of the capacity can be obtained by means of a valve installed on the discharge pipe.



Do not loosen the connection of the pump while it's under pressure.

Do not start and/or use the pump if there are signs of leak in the system.



The working temperatures have to respect the characteristics of the construction materials of the pump:

- From 0 °C to 135 °C³ Stainless steel AISI 316 standard execution



DO NOT ALLOW THE PUMP TO RUN DRY (note: the mag drive pump design doesn't allow the dry-running functioning because it will damage irrevocably the inner parts of the pump)



An accidental failure can generate sprinklings up to considerable distances.



In case of vibrations or anomalous noises, stop the pump immediately .



Do not pump flammable liquids.



Do not touch the pump while operating.

Before touching the motor or the bracket switch off the electric power.

3.2 Dry-running



Fill the pump with water (if compatible with the process liquid) or with the liquid to be pumped before starting the unit. This will protect the bearings and the shaft of the pump against dry running. **DO NOT ALLOW THE PUMP TO RUN DRY** because this can cause serious damages to the internal parts of the pump due to the lack of the necessary lubrication.

3.3 Temperature



Increasing the temperature of the pumped liquid can damage the pump and/or the piping/fittings and there can be a situation of serious danger for the people in the nearby. Avoid sudden changes of the temperature and do not exceed the temperature specified in your order. See the value of temperatures of the construction materials in the paragraph 3.1.

3.4 Before starting

Make sure that the pump is installed in accordance with the instructions supplied in the previous section 2.



When the pumping station is new, it's necessary to fill the system with water (or other inert liquid) to control that there are no leaks. **WHEN THE PUMP IS INSTALLED OVER HEAD IT HAS TO BE PRIMED, THIS MEANS THAT IT HAS TO BE FILLED WITH THE LIQUID AND THE SUCTION PIPING HAS TO BE KEPT FULL OF LIQUID BEFORE STARTING THE PUMP.**



ATTENTION: some liquids react with water. **VERIFY IF THE LIQUID TO BE PUMPED REACTS WITH WATER. IN THIS CASE THE SYSTEM HAS TO BE COMPLETELY EMPTIED AND DRIED.**

3.5 Starting

Start the electric motor and gradually open the discharge valve until you reach the required flow.

The pump can't operate more than two or three minutes with the discharge closed. A longer

³ Upon request it is possible to supply HTM SS316 pumps with special configurations which can work with a temperature range -40°C / + 160°C

period can cause serious damage to the pump.

If the pressure shown on the pressure gauge on the discharge piping does not increase, stop the pump immediately and release the pressure carefully.

Repeat the operation of installation of the pump as in paragraph 2.

If during the starting procedure there are changes of flow-rate, of density temperature or viscosity of the liquid, stop the pump and contact GemmeCotti technical service.

3.6 Optimum conditions for use

Operating continuously at the maximum performances (maximum pressure-valve closed/maximum flow rate-valve fully open) there can be an early wear of the pump. As a general rule, we recommend using the pump at half of its maximum capacity (see the paragraph 8 relative to the technical data) In any case do not allow the pump to work out of curve.

The capacity and the head of the pump refer to water pumping at room temperature. If it pumps high temperature liquids or other viscosities and densities, the performances have to be proportionately decreased. Pumps of series HTM work well with liquids having a viscosity up to 100 CPS⁴ and specific gravity up to 1.9 kg/dm³.



HOWEVER BOTH THE VISCOSITY AND THE SPECIFIC GRAVITY HAVE TO BE COMMUNICATED AT THE MOMENT OF QUOTATION. The electric motor is selected for the viscosity and the specific gravity communicated. In the case of higher values, the power of the motor could be insufficient.

3.7 Shut down



Normally the pump should be shut down only after closing the delivery valve. If the suction valve is closed before the other, cavitation of the pump can occur.

In the event that the pump is under head, close the valve after stopping the pump.

In some cases the pump can be used to empty tanks, in these situations the liquid can stop flowing in the pump while this is still working. In these cases a pump operating without liquids (that means dry-running) can be dangerously damaged if it's not stopped immediately. For such applications the use of automatic equipment or the constant presence of a person who can shut down the pump is recommended.

3.8 Long pump inactivity



If the pump has to remain inactive for a long period, before stopping it, it's recommended to let water flow in the system for several minutes so that you avoid any risk of internal deposits or sediments or precipitations of solid parts. Drain the liquid in the pump. An eventual freezing of the liquid inside the pump can cause damage. Always verify if the pumped liquid reacts with water. In this case contact GemmeCotti to find an alternative solution.

If the pump is temporary removed from the system and kept in stock, it's necessary to follow the instructions of paragraph 2.3 "Storage".

⁴ The values indicated are merely indicative and can vary in the series of pumps mod. HTM

3.9 Noise level

In some circumstances, for example when the pump works with high pressure and low capacity the noise increases and can be disturbing for the personnel working in the proximity. In this case it's possible to intervene with:

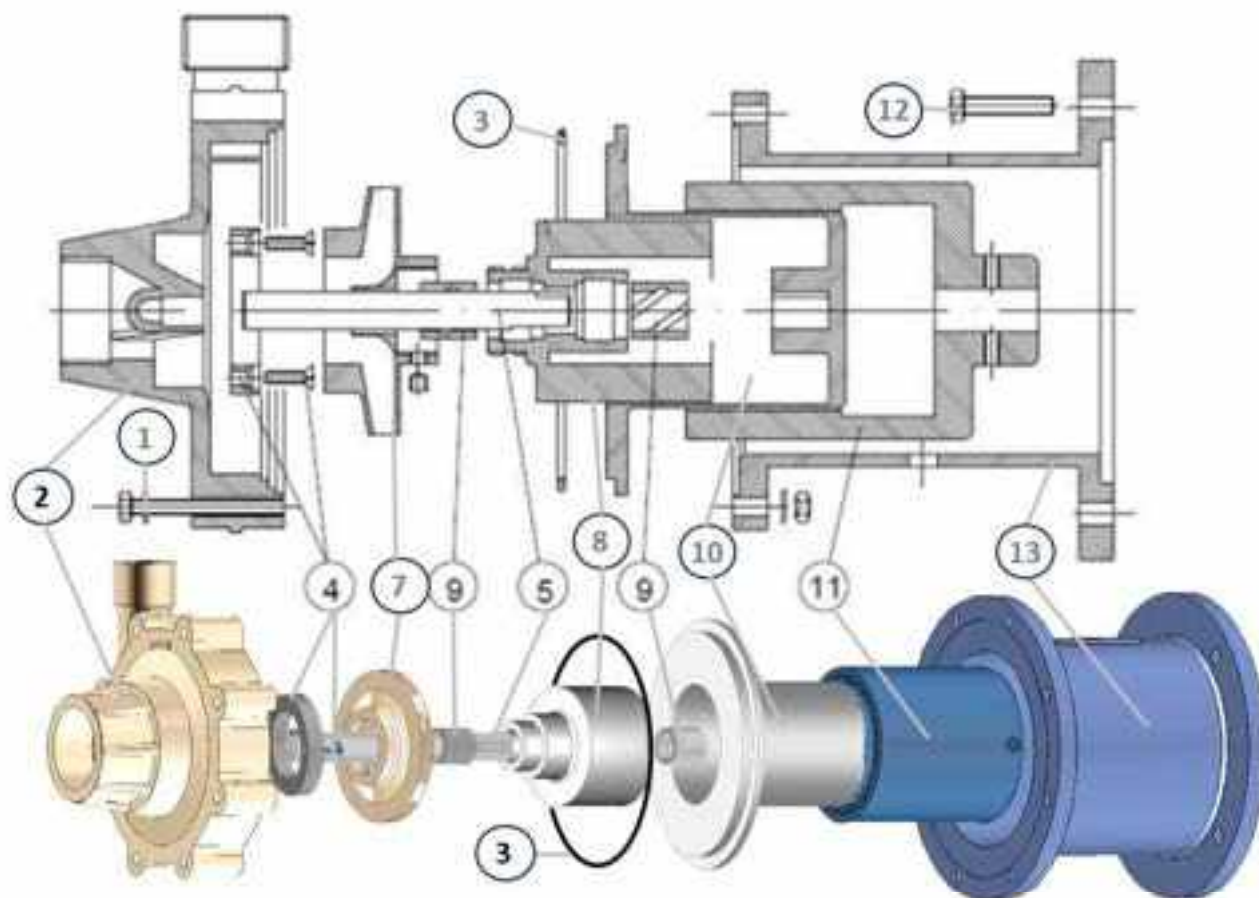


- earplugs;
- protective homologated headset against noises for the personnel in the proximity;
- soundproofing canopy for the pump. In these cases make sure that the motor ventilation is guaranteed.

4 MAIN PARTS

4.1 HTM 6-10-15-31 SS316 Family

The drawing below shows a section with all the main parts of a pump series HTM in metallic material (in particular models from 6 to 31).



POS.	1	2	3	4	5	7	8	9	10	11	12	13
PART DESCR.	SET SCREWS	PUMP HEAD	O-RING	CASING THRUST BUSH	SHAFT	IMPELLER	INT. MAGNET	BEARING	REAR CASING	EXT. MAGNET	SET SCREWS	BRACKET
MATERIALS	AISI304	AISI316	EPDM VITON	PTFE CARBON	HC276	AISI316	AISI316	PTFE CARBON	AISI316	C40	AISI304	ALUMINIUM AISI316

5. MAINTENANCE

5.1 General dispositions



During the warranty period extraordinary maintenance is allowed only for GemmeCotti personnel or personnel authorized by GemmeCotti. All the operations described in the paragraphs below have to be done exclusively by qualified staff and following step by step all the warnings written in this manual.

In case of ordinary maintenance (as set out in paragraph 5.2 et seq.) the customer is responsible for the correct assembly and disassembly of the pump. The warranty is no more valid if the pump is manipulated/sabotaged, the parts used for the maintenance are not GemmeCotti original or in case of operations not in compliance with the instructions indicated in this manual.

During ordinary maintenance the customer should check the absence of leakage (through hydrostatic tests, paying attention to respect the NP of the pump.), the magnet/impeller alignment, the correct shaft positioning, the correct bearing placement and the right functioning of the pump. For the tightening torque of the screws please refer to paragraph 5.8 Pay attention also to avoid ruining the O-ring when mounting it.



Clean the external surface of the pumps using only antistatic equipment.



Every operation executed on the apparatus has to be done after the disconnection of electric supply.

Use exclusively a good lift or some other suitable machine to move pumps with weight higher than 16 kg. During the movements of the machine or parts of the machine avoid collisions or falls which can damage the apparatus.



Before disassembling the parts of the pump, make sure that the dangerous internal liquids have been removed /washed. **THE PUMP HAS TO BE DRAINED AND DECONTAMINATED.**



Pay attention that some internal liquids can have dangerous reactions in contact with water.



During the operations of unloading of dangerous liquids make sure that situations of danger for people or environment don't occur.

5.2 Inspections

In general mag drive pumps do not need a “routine” maintenance and most of all they don't require frequent dismantling.

However periodical inspections are advisable to verify the state of wear of the impeller, the shaft, the o-rings and the bearings and if the general conditions of the internal parts of the pump are good.

The time between the inspections is strongly dependent on the operation conditions of the pump: the characteristics of the liquid, the temperature, the materials used and obviously the period of operation.

After the first start-up of the pump we strongly recommend an inspection of the bearings after 3 months of functioning. If the inspection has positive results, we recommend a second check

after further 6 months. The following inspection can be scheduled after another year of functioning (about 2000 working hours of the pump). In any case it is advisable to replace the bearings in PTFEC every 2000 hours of functioning of the pump. All the other components can be replaced only when they show signs of wear.

If a problem occurred or the pump needs a complete inspection see section “Problem solutions” and “Pump disassembly”.

5.3 Procedure before disassembly



ATTENTION:

If the pump has pumped hot liquids, make sure that it's been cooled before the disassembly procedure. It's possible that the pump has pumped toxic and/or dangerous liquids: so it's necessary to wear protection for the skin and the eyes.



ATTENTION:

Make sure that the pump has been carefully decontaminated and cleaned. Wash and neutralize completely the dangerous liquids inside the pump. The liquid has to be collected and eliminated according to the existing environmental laws. After disconnecting the discharge and suction pipes close the extremities.



ATTENTION:

GemmeCotti pumps contain extremely strong magnets. The use of non ferro-magnetic tools and working surfaces is highly recommended.



Pay attention to the strong magnetic attraction when disassembling/assembling the unit motor-external magnet of the pump. The area in which maintenance is done has to be clean and without ferric particles that can be attracted by the magnets.



ATTENTION: Wearers of PACE MAKER or equivalent devices may not operate on or near the pump due to strong magnetic fields.



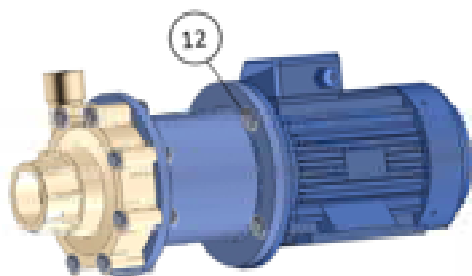
ATTENTION:

It is recommended not to operate near the magnets while wearing wristwatches, bracelets, rings and ferromagnetic jewelry and/or with electronic equipment sensitive to magnetic fields.

5.4 Disassembly

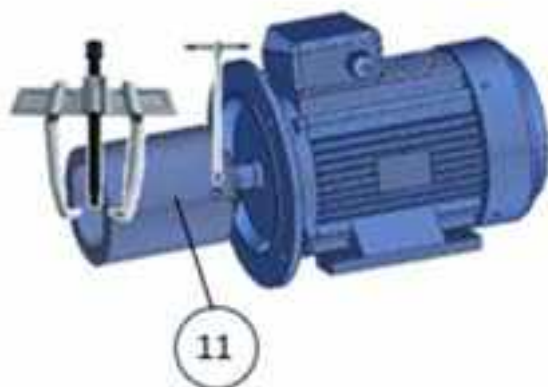
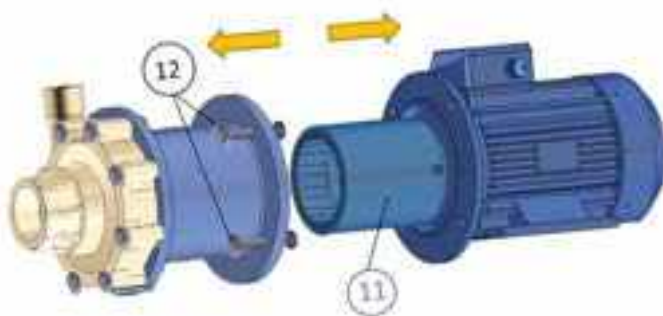
NOTE: the images used to show the operations of disassembly refer to a particular pump model of the series HTM SS316 and consequently the pump supplied to you can be slightly different from what is shown.

5.4.1 Disassembly the pump from the motor



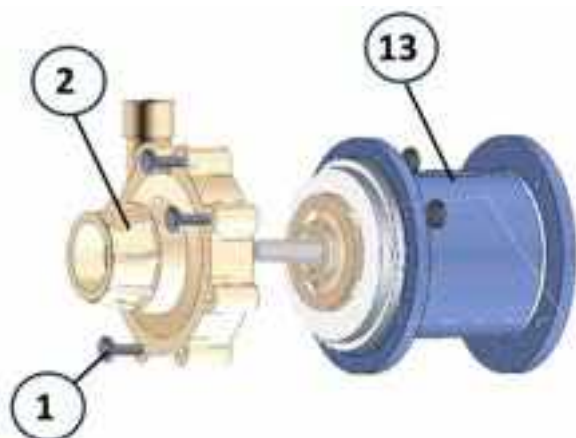
1. Remove the screws (12) securing the pump and the motor flange

2. Separate the pump from the motor



3. If it's necessary to remove the external magnet from the motor shaft proceed unscrewing the grub screw with an Allen key and then use a puller to avoid damage to the motor shaft or the external magnet.

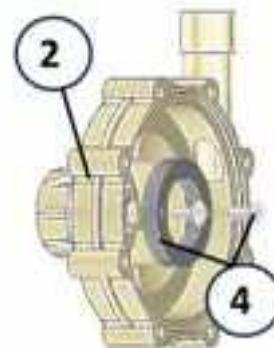
5.4.2 Pump disassembly



1. From the bracket of the pump (13) disassemble the head (2) removing the bolts (1).

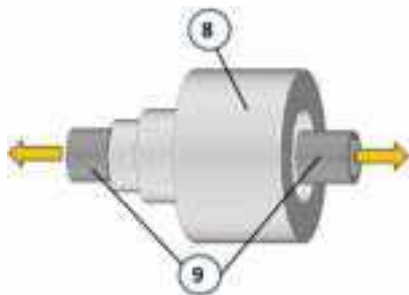
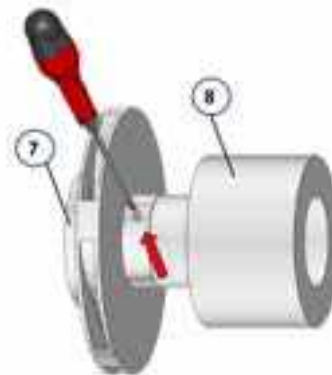


2. Check the wear status of the casing thrust bush (4) and change it if necessary.



3. Then remove the group of the internal magnet with the impeller (8+7) and substitute the external o-ring (3) that is on the edge of the rear casing .

4. To change the two bearings of the group of the internal magnet, first separate the impeller (7) from the magnet (8) using an allen key
Attention: unscrew the impeller clockwise



5. then remove the bearings (9) at the two ends of the internal magnet (8)

The parts that can be periodically replaced are:

- O-ring (part 3 in the section drawing)
- Bearings (part 9 in the section drawing)
- Casing thrust bush (part 4 in the section drawing)

5.5 Assembly

The sequence (in reverse) of operations of assembly is the same as that of disassembly. However it's necessary to consider the following warnings:



ATTENTION:

Clean accurately every component before assembly, make sure that the parts are not dirty, and don't have metallic particles etc.



- Place the external magnet on the motor shaft until it touches the shaft shoulder. Then screw the grub screw to fix it.



- always verify the correct placement of the bearings and then use a hand press for their complete introduction in seat;
- Then tighten the appropriate tightening screws, making sure that one engages the keyway of the motor shaft
- make sure that when closing the pump, the O-ring (3) is perfectly in seat and is not pinched;

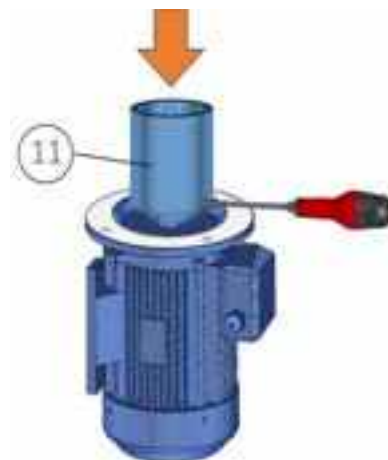


- during the introduction of the pump on the motor pay attention to the magnetic attraction that can cause injury to fingers or hands;

- use torque wrench for the correct strength to tighten the bolts in accordance with the chart of the following section 5.8.



- after assembling the pump on the motor flange, remove temporarily the protective shield on the fan at the back of the motor and rotate it by hand to check the free rotation of the unite. In case of excessive friction or anomalous noises, disassemble the group (instructions paragraph 5.4.2) and find out the cause of the problem. Never use the pump without proceeding with this test. Reassemble the fan protective shield before starting the pump: Do not start the pump if the fan protective shield is not installed.



5.6 Motor replacement

Proceed as indicated in the previous paragraph 4.4.2. Make sure that the characteristics of the motor are equal to those of the replaced motor. The manufacturer of the new motor can be different from that of the motor already mounted.

5.7 Video Tutorial

For a better understanding of the assembly and disassembly phases, follow our video tutorial on our website www.gemmecotti.com

5.8 Tightening torque

The recommended tightening torque are written in the following chart:

HTM SS 316	HTM 6		HTM 10		HTM 15		HTM 31	
	screw	Nm	screw	Nm	screw	Nm	screw	Nm
Motor/pump	M6	8/10	M6	8/10	M8	20/25	M10	35/40
Pump head/bracket	M5	5	M6	6/8	M6	6/8	M8	20/25

6. PROBLEM SOLUTIONS

Motor overheat Insufficient speed of the flow or pressure in the pump Insufficient pressure from the discharge pipe Irregular delivery pressure from the pump Noise and vibrations Blocked pump Pump overheating Abnormal wear Leak in the pump								Possible cause	Solution
•								Wrong direction of rotation of the motor	Invert the direction of rotation
	•	•	•	•				Insufficient suction head (NPSHa)	Increase NPSH available: • Raise the suction head (positive head) • Lower the pump • Increase the diameter of the suction pipe • Make suction pipe short and straight
			•					Pump clogged	Clean the pump
	•	•	•	•				Cavitation	Increase the NPSH available
			•	•	•		•	The pump sucks air	Check that the joints on suction pipes are tight
			•	•	•			The suction pipe is blocked	Check the valves and filters on the suction line
			•		•			Discharge pressure too high	Reduce the pressure increasing the diameter of pipes and/or reduce the number of valves or bends Reduce the flow:
	•			•	•		•	Flow rate too high	• partially close the discharge valve • reduce the rotation speed
		•		•	•	•	•	Liquid temperature too high	Cool the liquid
							•	Wrong material of the o-ring for the liquid	Mount o-rings of different material (contact us)
	•			•	•	•		The impeller seizes up	• Reduce the temperature • Adjust the distance between the impeller, the rear casing and the pump head
				•	•	•	•	Foreign objects in the liquid	Use a filter on the suction side
			•					Shut off valve closed on suction side	Check and open the valve
	•							Discharge pressure too low	Increase the suction pressure: Install an impeller with bigger diameter (contact GemmeCotti)

7. SPARE PARTS

7.1 How to order spare parts

A complete kit of spare parts for these kinds of pumps is available. Please contact GemmeCotti or our distributors. To have the spare parts it's necessary to communicate the model of the pump, the size, the material, the serial number, the year of construction and the number relative to the spare part required. All the references are written directly on the pump label and on the section drawings of the pump. If you don't have the necessary drawings please contact the GemmeCotti sales office (tel. +39 0296460406).

7.2 Accessories for the HTM SS 316 series

7.2.1 Baseplates

The pump complete with the motor can be installed perfectly horizontal thanks to our baseplates. Made of PP and available in 3 different sizes:



- **TYPE “A”** suitable for: IEC motors B3/B5 from size 56 to size 71
- **TYPE “B”** suitable for: IEC motors from size 80 to size 90 and NEMA motors 56TC and 145T.
- **TYPE “C”** suitable for: IEC motors from size 100 to size 112 and NEMA motors 184T.

7.2.2 A1-13Y – Dry-Running Protection Device

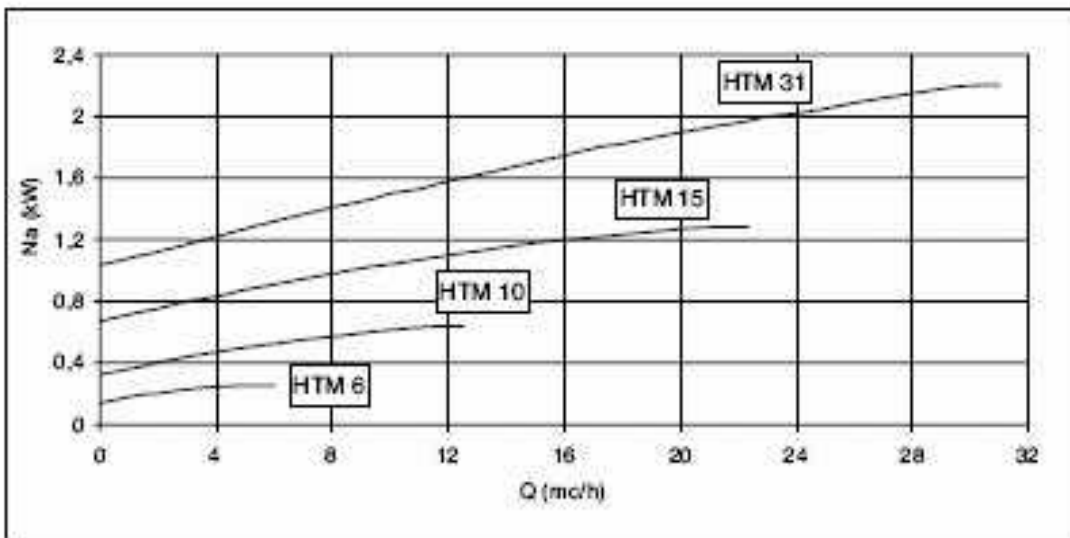
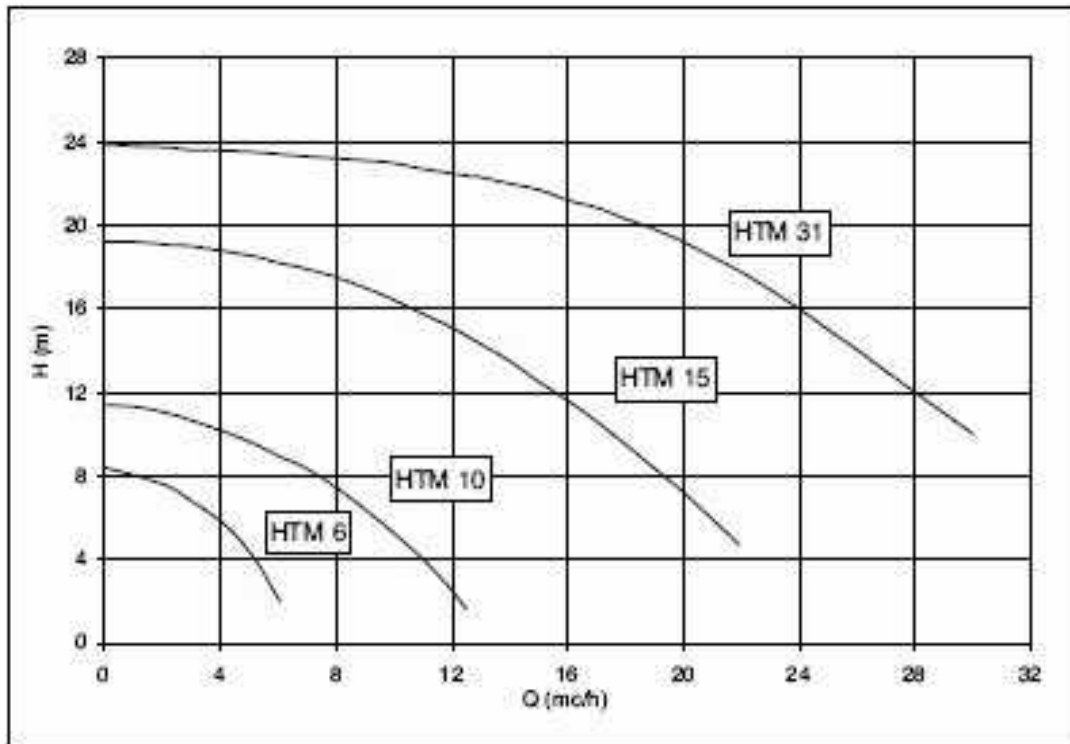


Useful equipment to prevent pump breakdowns as it avoids dry running, overloaded operation off curve, working with closed delivery and blocked suction

8. DATA

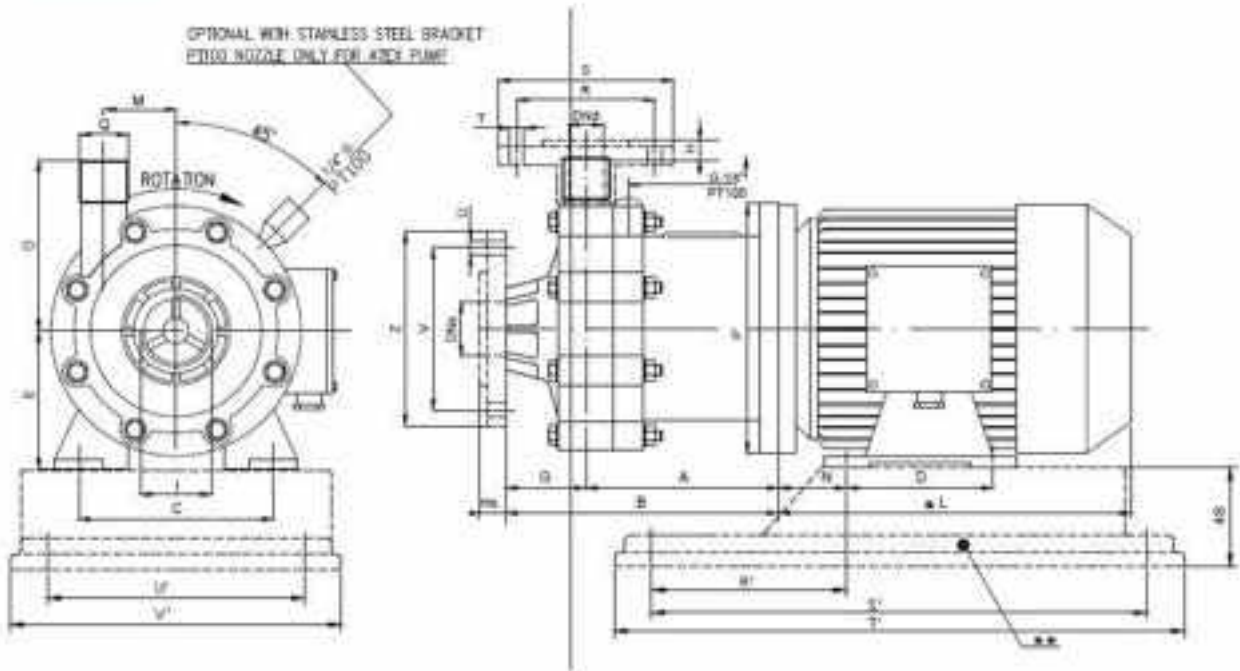
8.1 Performance curves

CURVES / CURVE - 50 HZ - 2900 RPM



8.2 Dimensions

HTM 6-10 SS316 • EM-C 6-10 SS316 (ATEX VERSION) DIMENSIONS



PUMP TYPE	FLANGES DIMENSIONS - mm -							
	R	S	T	U	V	Z	DN ₁	DN ₂
HTM 6 SS316	75	85	14	14	85	85	25	23
HTM 10 SS316	85	95	14	14	95	95	40	25

PUMP TYPE	MOTOR FLANGE SS 316	kW	DIMENSIONS - mm -															BASEPLATE DIMENSIONS - mm -				
			A	B	C	D	E	F	G	H	I	J	K	L	M	N	O	P	Q	R	S	T
HTM 6 SS316	75 B	0.55	127	84	32	90	71	24	37	4	1/2" FNPT	215	48	45	88	60	35	102	244	280	120	80
HTM 10 SS316	90 B	1	145	104	45	100	80	28	48	8	1/2" FNPT	232	44	50	98	70	40	120	250	300	140	100

NOTE: DIRECTION OF ROTATION IS COUNTER CLOCKWISE AS SEEN WHEN FACING THE MOTOR.
PUMPS AVAILABLE THREADED OR FLANGED.

8.3 Technical data and limits

The performance curves are valid for homogeneous liquids with specific gravity =1. If the liquid to be pumped has a specific gravity higher than 1, the absorbed power written on the performance curve has to be increased according to the value of the specific gravity of the liquid. For liquids having specific gravity higher than 2, please contact the GemmeCotti technical service (tel. +390296460406; e-mail info@gemmecotti.com).

The performance curves are valid for homogeneous liquids having viscosity of 1CPS. If the pumped liquid has a viscosity different from 1 CPS the values of Q/H will be altered. The performance of the pump will decrease. For liquids having viscosity lower than 0.5 CPS or greater than 100 CPS please contact the GemmeCotti technical service.

Values of required NPSH written on the performance curves are the lower required values. As a rule, for safety reasons, the value of NPSH of the system (NPSH available) should be at least 1 m higher than the value of NPSH required (written on the performance curves) to prevent lack of lubrication or dry-running with consequent damage of the bearings.

NPSHa can decrease with the installation of a valve curves, elbows, filters on the suction line. It is advisable to install a flow meter to check possible changes of value.

Values of performances written on the curves refer to trial pumps during prototype phase. In pumps manufactured in series such values can be lower. Usually these values have to be considered as follows:

- pumps with discharge up to 25mm: - 3 points
- pumps with discharge superior to 25mm: - 2 points

Characteristics of pumps series HTM are guaranteed by the manufacturer with tolerances in accordance with UNI EN ISO 9906:2002 regulation. With respect to other specifications or regulations requiring more restricted tolerances, these have to be specifically asked for at the moment of quotation; in this case GemmeCotti will choose a pump more suitable and the required regulations will be considered.

9. WARRANTY AND REPAIR

9.1 Warranty

All GemmeCotti products are guaranteed for a period of twelve (12) months starting from the delivery date of the goods.

For the warranty service to be applicable the customer must report the defect in writing no later than 8 (eight) days from the moment that the damage occurs, and must return the part (or parts) to GemmeCotti for repair or replacement. Pumps cannot be repaired or substituted on site. In the case of a request of warranty service, it's better to send the complete pump together with its motor to GemmeCotti.

The costs of delivery and the relative risks, and possible customs duties have to be paid by the customer. GemmeCotti will not accept the costs of collection and shipment.

The manufacturer is not responsible for damages caused during the shipment of the parts or of the pump sent to GemmeCotti to be repaired under warranty.

The warranty system provides that, after a careful examination at our factory, GemmeCotti is free to choose to repair or replace the part (or parts) of the pump which is/are defective in materials or in workmanship, or both. We will not give any refund or credit for the defective material or for direct or indirect damages caused by our pumps. In any case, any

reimbursement cannot exceed the cost of the pump or of the supplied material.

If the pumped liquid and the needed performances have not been communicated to GemmeCotti before the offer and confirmed in the quotation and order confirmation and/or the pump is not properly installed, maintained and used for its intended purpose or under conditions which can reasonably be foreseen as indicated in the Machine Directive 2006/42/CE article 4 paragraph 1, the customer takes the whole responsibility for the usage of the product, especially if not used in an appropriate way, and the warranty, the conformity to the Machine Directive 2006/42/CE and the relative CE declaration are no longer valid. The proper installation, maintenance and use for its intended purpose and the conditions which can reasonably be foreseen are subject to the respect of the technical limits (temperature, working point, compatibility of the pump material with the pumped fluid, NPSH etc...) which are indicated in GemmeCotti's technical data files and use and maintenance manuals.

If the above mentioned limits are not respected, the customer is the only responsible for the introduction of the pump in the market, for the declaration of conformity to the Machine Directive and the CE mark. In any case the user is considered the one who knows better the chemical compatibility and the reactions between the liquid to be pumped and the material of construction of the pump and consequently the information given in this regard by GemmeCotti is merely indicative.

If the returned piece is no longer covered by guarantee, or if after inspection GemmeCotti finds the piece to be not defective, inspection charges will be charged to the customer and the repaired or substituted piece will be returned to the customer at the customer's own expense. Pumps which have been repaired or substituted under guarantee will be supplied on the same delivery conditions as the order and the warranty will not be extended.

Warranty does not cover components subject to natural wear due to time, such as mechanical seals, bearings, bushings and lip seals.

The customer is solely responsible for the good performance of pumps and for their careful maintenance. Therefore no claims will be allowed when goods have been improperly handled (not stored in a suitable closed dry place, which is necessary because of the fragility of materials), contaminated, handled with negligence, improperly installed, tampered with or not well regulated, incorrectly used in wrong applications. In particular, GemmeCotti will not take any responsibility in the case of wear due to corrosion.

Ordinary repairs and/or maintenance must be carried out in accordance with the instructions indicated in the manual and carried out by pumps experts. Any case of pump tampering or modification, the warranty and the CE declaration will lose their validity. In this case, the customer will assume the product risk and he must issue a new CE declaration of conformity. The warranty does not cover damages due to extraordinary or natural events, such as lightning, ice, fire and others.

All the warranty obligations are considered fully satisfied after the repair or substitution of the defective parts.

The Warranty service will be suspended in the case of default or delayed payment and the period lost cannot be recovered.

This warranty is an integral part of the offer and of the order confirmation.

In the case of litigation the court which has jurisdiction is the Busto Arsizio (Italy) Tribunal and the law that will be applied is the Italian Law.

9.2 Returned parts and repair

All our distributors offer a complete repair service. Contact your local distributor or GemmeCotti s.r.l. directly.

Before sending the pump back to our repair services or to GemmeCotti, the pumps have to be decontaminated from the used dangerous liquids. Before sending the pump the customer has to fill in the Decontamination Declaration and send it by e-mail or fax as per the facsimile document in the next paragraph 9.3.

9.3 Decontamination Declaration ⁵ (facsimile)

To: GemmeCotti S.r.l

Via Po 23/25/27 - 20031 Cesate (MI)

Phone Number +39 2. 964. 60. 406

SUBJECT: Decontamination Declaration of pumps to be repaired

Reference to our Transport document No: _____ dated: _____

Type of pump: _____ Serial Number: _____

Fluid pumped: _____

Type of problem/damage: _____

In accordance with current requirements regarding the health and safety of workmen, we hereby declare that:

1. The pump has been carefully cleaned and decontaminated to remove all traces of the pumped fluid
2. Also the residual fluid used to decontaminate the pump has been removed
3. It is possible to proceed with the repair of the pump without risks for the workmen or the environment

Attention: if the pump is not correctly cleaned or we do not receive this document duly filled in, it will be sent back at the customer's expense

Date _____

STAMP AND SIGNATURE

⁵ TO FILL IN ON YOUR HEADED PAPER

9.4 CE CERTIFICATE FOR PUMPS SERIES HTM SS316⁽⁵⁾

Declaration of conformity⁶(facsimile) to the Machine Directive 2006/42/CE

CE DECLARATION OF CONFORMITY

We state under our own responsibility that the pump:

Supplier : GEMMECOTTI

Type :

Model :

Serial Number:

Year:

as per described in attached documentation, is in accordance with the Machine Directive CE 2006/42 (ex 89/392/CEE - 91/368/CEE - 93/44/CEE – 93/68/CEE-98/37 CEE) only if it's used for the liquids communicated by the customer..... and for the pump characteristics required with regard to the order No.....dated.....

If the pumped liquid and the needed performances have not been communicated to GemmeCotti and/or the pump is not properly installed, maintained and used for its intended purpose or under conditions which can reasonably be foreseen, the customer takes the whole responsibility of the products as indicated in our warranty Mod. 1.11.4E.

The conformity to the previously mentioned requirements is expressed by the marking:



ENRICO GEMME
(Managing Director)

Cesate,

⁶ If the customer doesn't communicate the liquid pumped or the functioning conditions, the CE Declaration can't be sent and the customer will be the responsible of the certification of the pump for its application.

9.5 ATEX / EC Declaration of conformity (facsimile)⁽⁶⁾



EU Declaration of conformity

The magnetic drive pump type:

SN _____

Together with all the pumps series:

EM(-C-T) SS316

Models:

EM-C 6 SS316, EM-C 10 SS316, EM-C 15 SS316, EM-C 31 SS316, EM-C 40 SS316,
EM-C 50 SS316, EM-T 25 SS316, EM-T 37 SS316, EM-T 49 SS316, EM-T 78 SS316

bearing the mark:

CE Ex II 2G Ex h IIC T6...T4 Gb

Or

CE Ex II 3G Ex h IIB T6 Gc

have been manufactured by GemmeCotti s.r.l in accordance with the following EC directives
2014/34/EU, 2006/42/EC*

and the following standards:

EN 12100, EN 809, EN 1127-1, EN 80079-36, EN 80079-37, EN 15198

The manufacturing process is internally controlled by a Quality Management System according to ISO 9001:2015 standards and the internal control of production file n. 101 rev.1.0, is deposited at (CER) notified body 01212

This declaration of conformity is issued under the sole responsibility of the manufacturer



*Note: ATEX magnetic drive pumps, considered as equipment, comply by design with the directive providing that installation is correctly performed by the manufacturer of the machinery assembly. The pump must not be put on duty until the machinery is placed into which it has been recommended to declare in conformity with the Machinery Directive. This declaration does not imply any warranty of properties. The safety instruction of the accompanying product documentation shall be observed.

Since there exists an endless variety of products and chemical compositions that can be suitable to be processed by the device considered, the end user is the only one responsible to verify the reactions and suitability with material used to build the pump. Therefore, all necessary tests and checks must be performed with great care to avoid any risk, and any adverse event that cannot be foreseen by the manufacturer and of which cannot be held responsible. Every dispute lies within competence of Edojo Arzico Court.

Enrico Gemme
General Manager



Via Po 23-25-27 20031 - Cesate (MI) ITALY - EU

www.gemmecotti.com

6. ATTENTION: the pump described in the document, considered as a component, is in compliance with the stated Directives if it's correctly installed by the customer in the machine/plant of the final user. The pump can't be started until the machine/plant (which contains it) is also in accordance with the stated Directives. This declaration does not imply any property warranty. THE SAFETY INSTRUCTIONS SUPPLIED WITH THE PUMP MUST BE FOLLOWED