

CHEMICAL PUMPS SINCE 1992



GENERAL
CATALOGUE

2025 | 2026



Pump model **EM-P PP/PVDF** – only for **ATEX zone 2**
(See pump model HPP/HPF page 36)



- Thermoplastic pumps made in PP or PVDF.
- Capacity up to 980 L/h.
- Pressure up to 5 bar.

Pump model **EM-T SP PP/PVDF** - only for **ATEX zone 2**
(See pump model HTT-SP page 30)



- Thermoplastic pumps made in PP or PVDF.
- Capacity up to 6 m³/h.
- Head up to 24 mlc.
- Machined from a block.
- Self-priming up to 5 m.

Pump model **EM-CO PP/PVDF** - only for **ATEX zone 2**
(See pump model HCO page 42)



- Thermoplastic pumps made in PP or PVDF.
- Capacity up to 130 m³/h.
- Head up to 48 mlc.
- Mechanical seal.



Centrifugal pumps series HCO with mechanical seal are made of thermoplastic materials (**Polypropylene** and **PVDF**) and are suitable for **highly corrosive liquids containing solids in suspension**. Three different kinds of mechanical seals are available:

1. The seal of pumps HCO size 95-10 is guaranteed by a **special elastomeric lip seal**.
2. HCO pumps from size 110 to 170 are equipped with an **internal PTFE bellows mechanical seal** (sic/ceramic), which is manufactured by GemmeCotti.
3. HCO 180-200 are equipped with a **single or double mechanical seal back to back**.

STANDARD

- BSP threaded in and out connections.
- Direct starting motor.

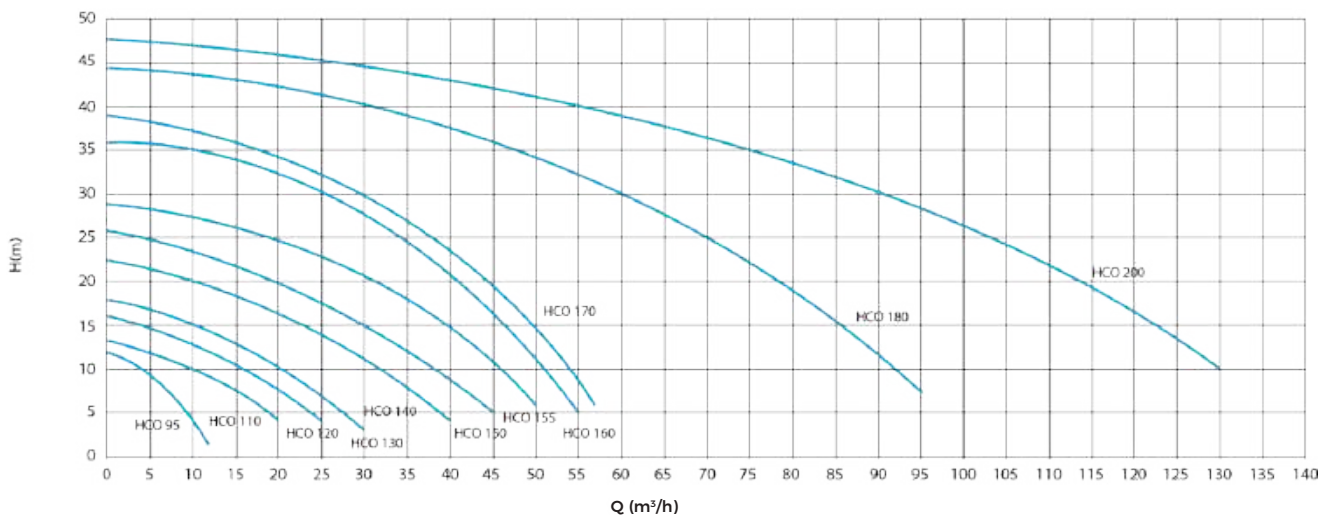
OPTIONAL

- Flanges available (DIN or ANSI).
- Dry-running protection device.
- Baseplate (from HCO 95 to HCO 140).
- Available in ATEX version for zone 2 II 3G (pump mod. EM-CO).

MAIN FEATURES

- **Materials available:** PP / PVDF.
- **Max flow:** 130 m³/h; **Max head:** 48 m.
- **Temperature:** PP: max 70°C - PVDF: max 90°C.
- **Max viscosity:** 200 cSt.
- **Pressure rating:** NP 6 at 20°C.
- Suitable for highly corrosive liquids containing solids in suspension (non-abrasive solids - max. 5% - dimension max. 3 mm).

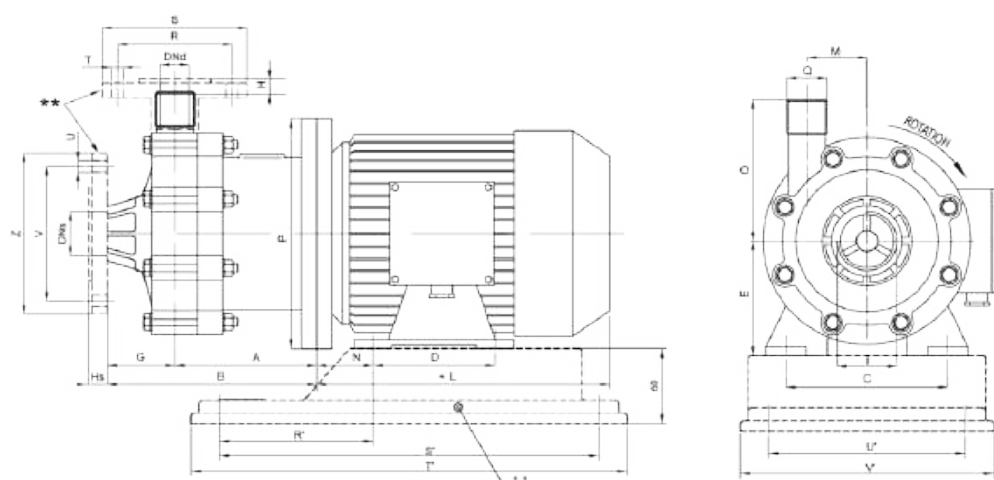
PERFORMANCE CURVES 50Hz - 2900 RPM



HCO TECHNICAL DATA

PUMP SIZE	MATERIAL	Q MAX		H MAX		SUCTION CONNECTION	DISCHARGE CONNECTION	PUMP WEIGHT (kg)		SUITABLE MOTOR POWER (kW) 2900 rpm	MOTOR FLANGE AND FRAME
		50Hz (m³/h)	60Hz (USGPM)	50Hz (m/c)	60Hz (ft)			PP	PVDF		
HCO 95-10	PP- PVDF	12	52	12	47	1" 1/2 FEMALE	1" MALE	10	12	0.55	71B - B3 / B5
HCO 110	PP- PVDF	20	88	13	59	2" 1/2 MALE	2" MALE	10	12	1.1	80B - B3 / B5
HCO 120	PP- PVDF	25	100	16	75	2" 1/2 MALE	2" MALE	10	12	1.5 - 2.2	90S - 90L - B3 / B5
HCO 130	PP- PVDF	30	158	18	90	2" 1/2 MALE	2" MALE	10	12	2.2	90L - B3 / B5
HCO 140	PP- PVDF	40	212	22	104	2" 1/2 MALE	2" MALE	11	13	3-4	100L - 112M - B3 / B5

HCO 95/10 - 110 - 120 - 130 - 140 PP/PVDF



DIMENSIONS - mm -

PUMP TYPE	MOTOR FLANGE B3 - B5	kW	DIMENSIONS - mm -														
			A	B	C	D	E	G	Hs	H	I	*L	M	N	O	P	Q
HCO 95-10	71B	0.55	110	180	112	90	71	70	20	9	1" 1/2 FEMALE	215	45	45	100	160	1" MALE
HCO 110	80B	1.1	199	290	125	100	80	91	10	13	2" 1/2 MALE	232	66	50	140	200	2" MALE
HCO 120	90S	1.5	209	290	140	100	90	91	10	13	2" 1/2 MALE	262	66	56	140	200	2" MALE
	90L	2.2	209	290	140	125	90	91	10	13	2" 1/2 MALE	287	66	56	140	200	2" MALE
HCO 130	90L	2.2	209	290	140	125	90	91	10	13	2" 1/2 MALE	280	66	56	140	200	2" MALE
HCO 140	100L	3	219	310	160	140	100	91	10	13	2" 1/2 MALE	315	66	63	140	250	2" MALE
	112M	4	219	310	190	140	112	91	10	13	2" 1/2 MALE	325	66	70	140	250	2" MALE

FLANGES DIMENSIONS - mm -

PUMP TYPE	R	S	T	U	V	Z	DNs	DNd
HCO 95-10	85	115	14	18	110	150	40	25
HCO 110 - 120 - 130 - 140	125	168	18	18	145	188	65	50

BASEPLATE DIMENSIONS - mm -

PUMP TYPE	R'	S'	T'	U'	V'
HCO 95-10	112	244	280	130	160
HCO 110 - 120 - 130	120	302	350	157	205
HCO 140	140	352	400	202	250

* Different according to the motor supplier. ** OPTIONAL UPON REQUEST: DIN or ANSI Flanges and Baseplates (from HCO 95 to HCO 140).
NOTE: DIRECTION OF ROTATION IS COUNTER CLOCKWISE AS SEEN WHEN FACING THE MOTOR.
PUMPS AVAILABLE THREADED OR FLANGED.

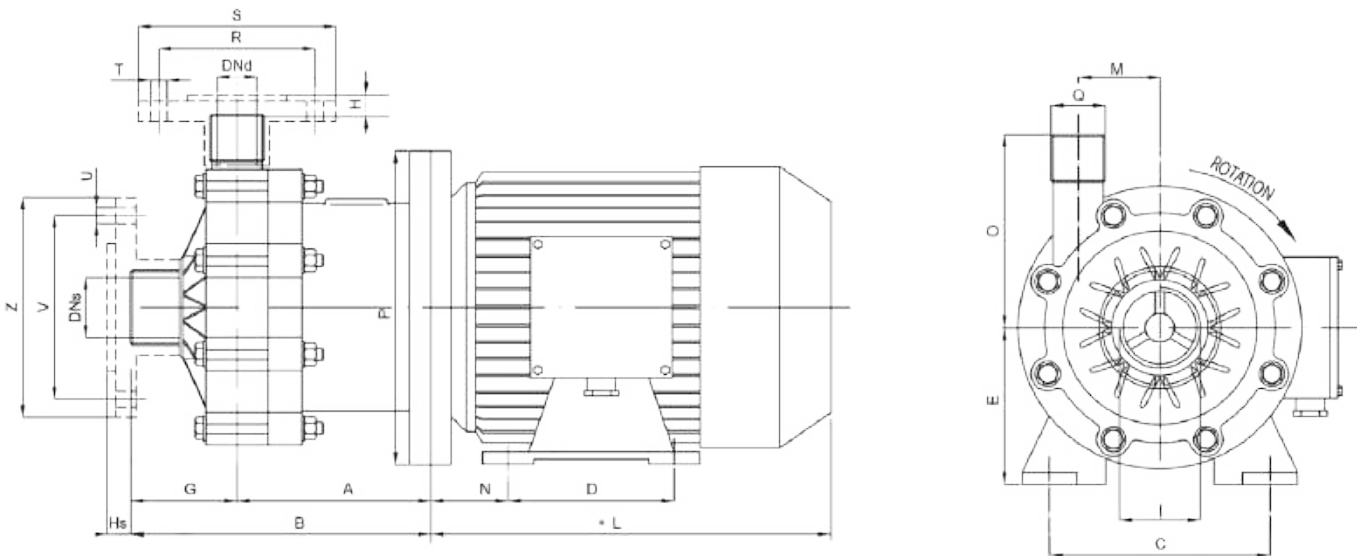


MECHANICAL SEAL CENTRIFUGAL PUMPS

HCO TECHNICAL DATA

PUMP SIZE	MATERIAL	Q MAX		H MAX		SUCTION CONNECTION	DISCHARGE CONNECTION	PUMP WEIGHT (kg)		SUITABLE MOTOR POWER (kW) 2900 rpm	MOTOR FLANGE AND FRAME
		50Hz (m³/h)	60Hz (USGPM)	50Hz (m/c)	60Hz (ft)			PP	PVDF		
HCO 150	PP- PVDF	45	242	26	124	3" MALE	2" 1/2 MALE	11	13	5.5 - 7.5 - 9.2	132 SA - 132 SB - 132 MA - B3/B5
HCO 155	PP- PVDF	50	265	29	140	3" MALE	2" 1/2 MALE	11	13	5.5 - 7.5 - 9.2	132 SA - 132 SB - 132 MA - B3/B5
HCO 160	PP- PVDF	55	290	36	170	3" MALE	2" 1/2 MALE	11	13	7.5 - 9.2	132 SB - 132 MA - B3/B5
HCO 170	PP- PVDF	58	300	38	175	3" MALE	2" 1/2 MALE	11	13	7.5 - 9.2	132 SB - 132 MA - B3/B5

HCO 150 - 155 - 160 - 170 PP/PVDF



DIMENSIONS - mm -

PUMP TYPE	MOTOR FLANGE B3 - B5	kW	DIMENSIONS - mm -														
			A	B	C	D	E	G	Hs	H	I	*L	M	N	O	P	Q
HCO 150 - HCO 155	132 SA-SB	5.5	184	275	216	140	132	91	10	10	3" MALE	380	82.5	89	170	300	2" 1/2 MALE
	132 SA-SB	7.5	184	275	216	140	132	91	10	10	3" MALE	380	82.5	89	170	300	2" 1/2 MALE
	132 MA	9.2	184	275	216	178	132	91	10	10	3" MALE	418	82.5	89	170	300	2" 1/2 MALE
HCO 160 - HCO 170	132 SB	7.5	184	275	216	140	132	91	10	10	3" MALE	380	82.5	89	170	300	2" 1/2 MALE
	132 MA	9.2	184	275	216	178	132	91	10	10	3" MALE	418	82.5	89	170	300	2" 1/2 MALE

* Different according to the motor supplier.
 ** OPTIONAL UPON REQUEST: DIN or ANSI Flanges.
 NOTE: DIRECTION OF ROTATION IS COUNTER CLOCKWISE AS SEEN WHEN FACING THE MOTOR.
 PUMPS AVAILABLE THREADED OR FLANGED.

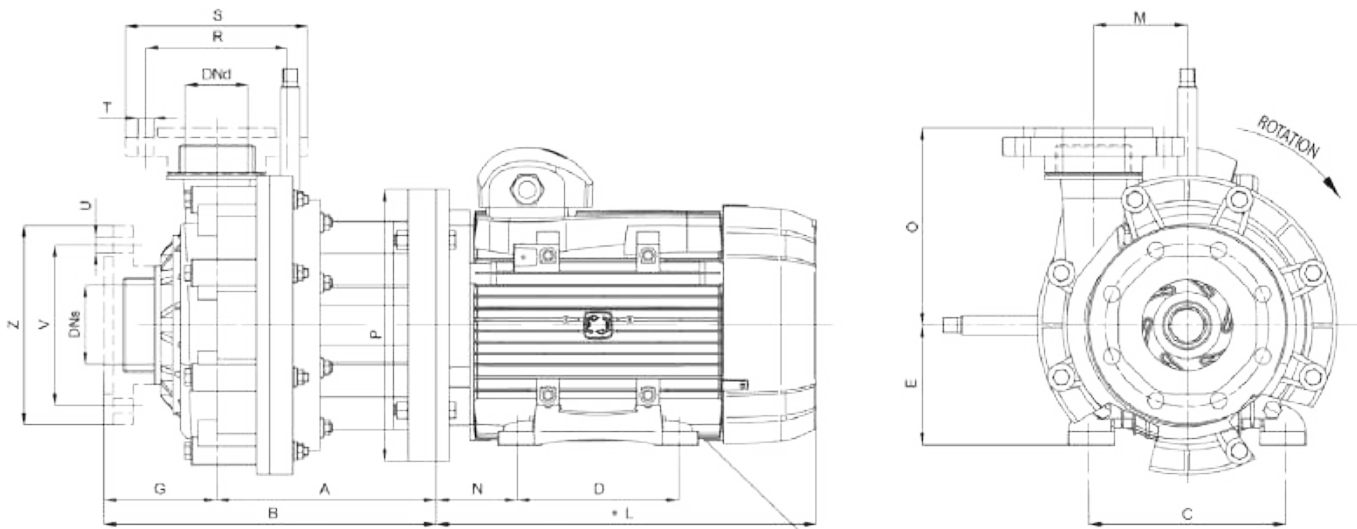
FLANGES DIMENSIONS - mm -

PUMP TYPE	R	S	T	U	V	Z	DNs	DNd
HCO 150 - 155 - 160 - 170	145	188	18	18	160	203	80	65

HCO TECHNICAL DATA

PUMP SIZE	MATERIAL	Q MAX		H MAX		SUCTION CONNECTION	DISCHARGE CONNECTION	PUMP WEIGHT (kg)		SUITABLE MOTOR POWER (kW) 2900 rpm	MOTOR FLANGE AND FRAME
		50Hz (m³/h)	60Hz (USCPM)	50Hz (m/c)	60Hz (ft)			PP	PVDF		
HCO 180	PP- PVDF	95	502	44	208	3" 1/2 MALE	2" 1/2 MALE	13	15	11 - 15 - 18.5 - 22	160MA - 160MB - 160 L -180 M - B3/B5
HCO 200	PP- PVDF	130	687	48	227	4" MALE	3" 1/2 MALE	13	15	15 - 18.5 - 22 - 37	160MB - 160L - 180M 200LB - B3/B5

HCO 180 - 200 PP/PVDF



DIMENSIONS - mm -

PUMP TYPE	MOTOR FLANGE B3 - B5	kW	DIMENSIONS - mm -										
			A	B	C	D	E	G	*L	M	N	O	P
HCO180	160 MA	11	272	397	254	210	160	126	555	103	108	215.5	350
	160 MB	15	272	397	254	210	160	126	555	103	108	215.5	350
	160 L	18.5	272	397	254	254	160	126	575	103	108	215.5	350
	180 M	22	272	397	279	241	180	126	620	103	121	215.5	350
HCO 200	160 MB	15	272	395.5	254	210	160	125	555	103	108	218	350
	160 L	18.5	272	395.5	254	254	160	125	575	103	108	218	350
	180 M	22	272	395.5	279	241	180	125	620	103	121	218	350
	200LB	37	272	395.5	318	305	200	125	675	103	133	218	400

FLANGES DIMENSIONS - mm -

PUMP TYPE	R	S	T	U	V	Z	DNs	DNd
HCO 180	145	185	18	18	160	200	80	65
HCO 200	160	200	18	18	180	220	100	80

* Different according to the motor supplier. ** OPTIONAL UPON REQUEST: DIN or ANSI Flanges.
 NOTE: DIRECTION OF ROTATION IS COUNTER CLOCKWISE AS SEEN WHEN FACING THE MOTOR.
 PUMPS AVAILABLE THREADED OR FLANGED.



GEMMECOTTI SRL

Via Po 23-25-27
20031 Cesate MILANO | ITALY
EUROPEAN UNION

Ph: +39 02.96460406
info@gemmecotti.com



www.gemmecotti.com

