

CHEMICAL PUMPS SINCE 1992



GENERAL
CATALOGUE

2025 | 2026



Pump model **EM-P PP/PVDF** – only for **ATEX zone 2**
(See pump model HPP/HPF page 36)



- Thermoplastic pumps made in PP or PVDF.
- Capacity up to 980 L/h.
- Pressure up to 5 bar.

Pump model **EM-T SP PP/PVDF** - only for **ATEX zone 2**
(See pump model HTT-SP page 30)



- Thermoplastic pumps made in PP or PVDF.
- Capacity up to 6 m³/h.
- Head up to 24 mlc.
- Machined from a block.
- Self-priming up to 5 m.

Pump model **EM-CO PP/PVDF** - only for **ATEX zone 2**
(See pump model HCO page 42)



- Thermoplastic pumps made in PP or PVDF.
- Capacity up to 130 m³/h.
- Head up to 48 mlc.
- Mechanical seal.



THERMOPLASTIC MAG-DRIVE ROTARY VANE PUMPS



STANDARD

- High torque magnetic coupling.
- Direct starting motors.

OPTIONAL

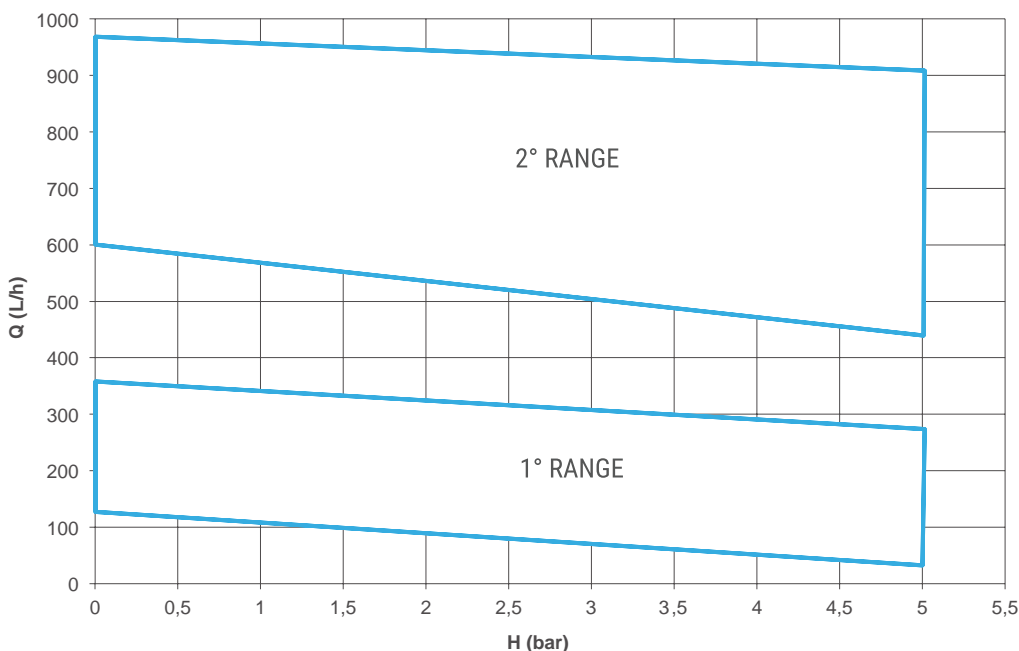
- Flanges available (DIN or ANSI).
- Dry-running protection device.
- Baseplate.
- Available in ATEX version for zone 2 II 3G (pump mod. EM-P PP/PVDF).

Mag drive rotary vane pumps series **HPP-HPF** are made of thermoplastic materials (PP/PVDF) and are suitable for corrosive liquids, alkalis, toxic, noxious and carcinogenic fluids. Thanks to the **innovative mag drive system**, pumps model HPP-HPF reduce the risks of leakage and the maintenance costs. HPP-HPF pumps are **useful for low flow and high head applications** such as Pilot Plants and Sampling.

MAIN FEATURES

- **Materials available:** PP / PVDF.
- **Materials in contact with the liquid:** casing, end cover, internal magnet and rear casing: PP/PVDF; o-ring: EPDM (standard for PP pumps); VITON (standard for PVDF pumps); Graphite Stator; Rotor shaft: PVDF.
- **Max flow:** 980 L/h; **Max pressure** 5 bar.
- **Temperature:** PP: max 70°C - PVDF: max 90°C.
- **System pressure:** NP 5 bar at 20°C.

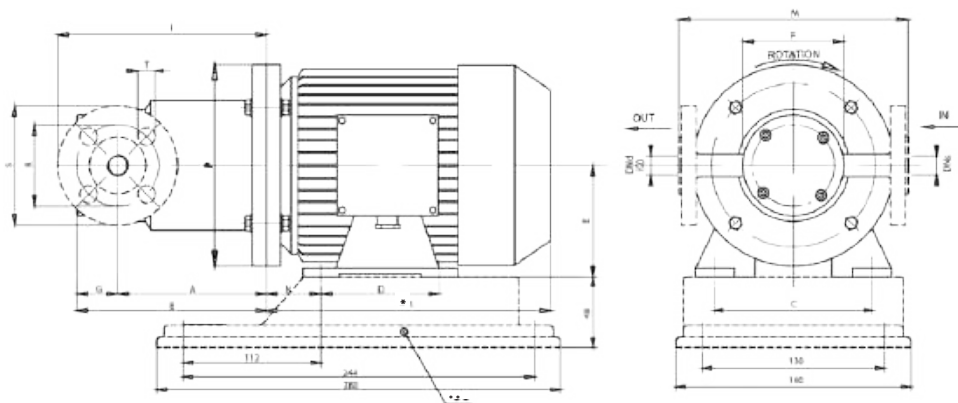
PERFORMANCE CURVES 50Hz - 1450 RPM



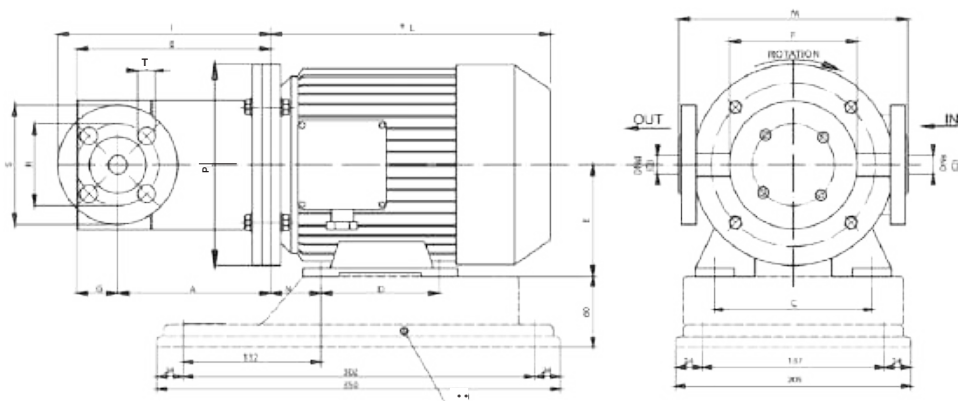
HPP/HPF TECHNICAL DATA

PUMP SIZE	MATERIAL	Q MAX		H MAX		SUCTION CONNECTION	DISCHARGE CONNECTION	PUMP WEIGHT (kg)		SUITABLE MOTOR POWER (kW) 1450 rpm	MOTOR FLANGE AND FRAME
		50Hz (L/h)	60Hz (USGPM)	50Hz (bar)	60Hz (PSI)			PP	PVDF		
HPP/HPF 100 1'R	PP- PVDF	120	0.66	5	72	3/8" FEMALE	3/8" FEMALE	2.9	3.2	0.37	71 - B3 / B5
HPP/HPF 200 1'R	PP- PVDF	200	1.1	5	72	3/8" FEMALE	3/8" FEMALE	2.9	3.2	0.37	71 - B3 / B5
HPP/HPF 300 1'R	PP- PVDF	290	1.5	5	72	3/8" FEMALE	3/8" FEMALE	2.9	3.2	0.37	71 - B3 / B5
HPP/HPF 400 1'R	PP- PVDF	360	1.8	5	72	3/8" FEMALE	3/8" FEMALE	2.9	3.2	0.37	71 - B3 / B5
HPP/HPF 600 2'R	PP- PVDF	600	2.5	5	72	1/2" FEMALE	1/2" FEMALE	7	7.5	1.5	90 - B3 / B5
HPP/HPF 800 2'R	PP- PVDF	800	3	5	72	1/2" FEMALE	1/2" FEMALE	7	7.5	1.5	90 - B3 / B5
HPP/HPF 1000 2'R	PP- PVDF	980	3.5	5	72	1/2" FEMALE	1/2" FEMALE	7	7.5	1.5	90 - B3 / B5

HPP-HPF 1° RANGE



HPP-HPF 2° RANGE



DIMENSIONS - mm -

PUMP TYPE	MOTOR FLANGE B3 - B5	kW	DIMENSIONS - mm -														FLANGES DIMENSIONS - mm -					
			A	B	C	D	E	F	G	I	*L	M	N	O	P	Q	R	S	T	DNs	DNd	
HPP-HPF1° RANGE	714B	0.37	128	164	112	90	71	90	36	176	215	182	45	3/8" FEMALE	160	3/8" FEMALE	65	95	14	15	15	DN15 PN16
HPP-HPF2° RANGE	90S2	1.1 / 1.5	179	223	140	100	90	127	44	232	255	218	56	1/2" FEMALE	200	1/2" FEMALE	75	105	14	20	20	DN20 PN16

* Different according to the manufacturer. ** OPTIONAL UPON REQUEST: DIN or ANSI Flanges and Baseplates.



GEMMECOTTI SRL

Via Po 23-25-27
20031 Cesate MILANO | ITALY
EUROPEAN UNION

Ph: +39 02.96460406
info@gemmecotti.com



www.gemmecotti.com

