

CHEMICAL PUMPS SINCE 1992



GENERAL
CATALOGUE

2025 | 2026

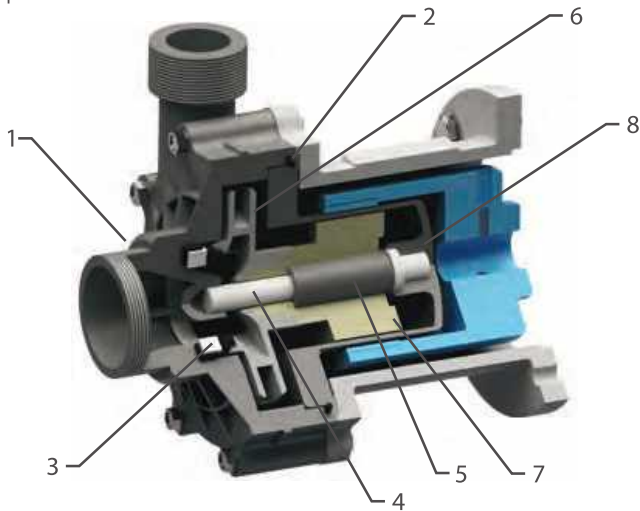


MAG-DRIVE CENTRIFUGAL PUMPS

SEAL-LESS MAG DRIVE CENTRIFUGAL PUMPS

In seal-less magnetic drive centrifugal pumps, the external magnet is directly connected to the motor shaft and it transmits the torque to the internal magnet.

The magnetic field created produces a rotation without physical contact between the parts so the impeller spins and moves the fluid. The rear casing is placed between the two magnet joints and it hermetically closes the hydraulic part from the motor.



GemmeCotti can supply four different models of mag drive centrifugal pumps:

HTM PP/PVDF

- Thermoplastic pumps made of PP or PVDF.
- Capacity up to 130 m³/h.
- Head up to 48 mlc.
- Injection molded parts.

HTM SP PP/PVDF

- Self-priming pumps made of PP or PVDF.
- Capacity up to 25 m³/h.
- Head up to 22 mlc.

HCM PP/PVDF

- Thermoplastic pumps made of PP or PVDF.
- Capacity up to 130 m³/h.
- Head up to 48 mlc.
- Pump head machined from a block.

HTM SS 316

- Metallic pumps made of stainless steel AISI 316.
- Capacity up to 32 m³/h.
- Head up to 24 mlc.

MATERIALS IN CONTACT WITH THE LIQUID

PART NUMBER - DESCRIPTION	CENTRIFUGAL PUMPS			
	HTM PP/PVDF	HTM SP	HCM	HTM SS 316
1 - PUMP HEAD	PP or PVDF	PP or PVDF	PP or PVDF	AISI 316
2 - O-RING	EPDM or VITON	EPDM or VITON	EPDM or VITON	EPDM or VITON
3 - CASING THRUST BUSH	CERAMIC Al ₂ O ₃ + EPDM or VITON	CERAMIC Al ₂ O ₃ + EPDM	CERAMIC Al ₂ O ₃ + EPDM or VITON	PTFEC
4 - SHAFT	CERAMIC Al ₂ O ₃ 99,7%	CERAMIC Al ₂ O ₃ 99,7%	CERAMIC Al ₂ O ₃ 99,7%	HASTELLOY-C 276
5 - BEARINGS	PTFEC	PTFEC	PTFEC	PTFEC
6 - IMPELLER	PP or PVDF	PP or PVDF	PP or PVDF	AISI 316
7 - INTERNAL MAGNET	PP or PVDF + NdFeB	PP or PVDF + NdFeB	PP or PVDF + NdFeB	AISI 316 + SmCo
8 - REAR CASING	PP or PVDF	PP or PVDF	PP or PVDF	AISI 316



TYPICAL APPLICATIONS

- High corrosive liquids.
- Toxic, noxious and carcinogenic liquids.

OPTIONAL

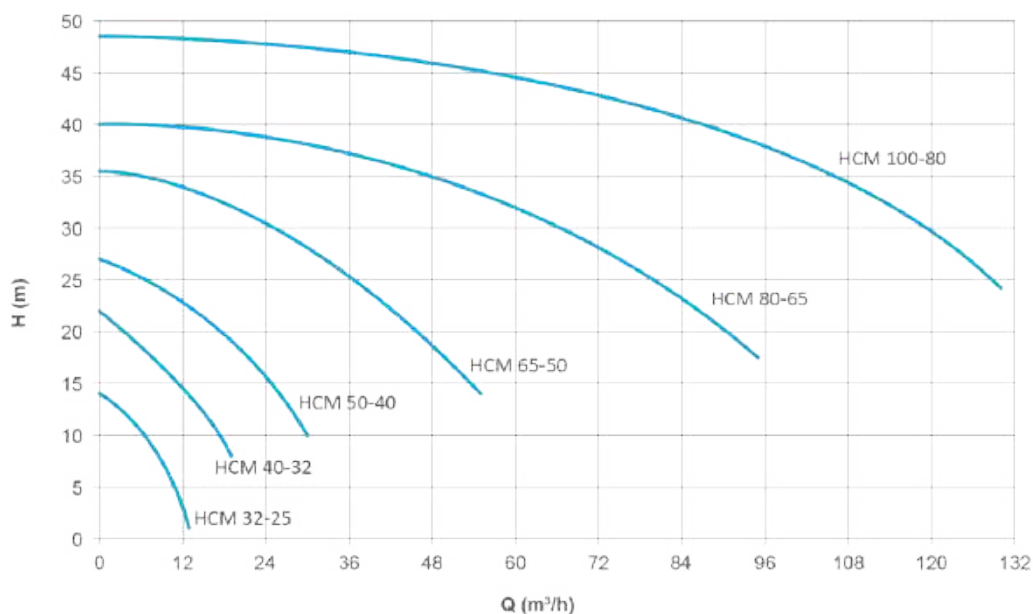
- Dry-running protection device.

Mag drive centrifugal pumps series HCM are made of thermoplastic materials (**Polypropylene or PVDF**) and, thanks to their strong and resistant structure, they are suitable for high corrosive fluids and heavy duty applications. The pump casing is machined from a solid block for a great resistance in terms of pressure and temperature and the transmission of the motion occurs through magnetic joints without any mechanical seal. This magnetic drive system guarantees the maximum safety and efficiency **reducing risks of leakage and emissions**.

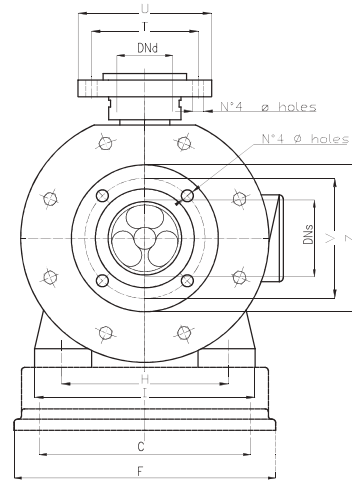
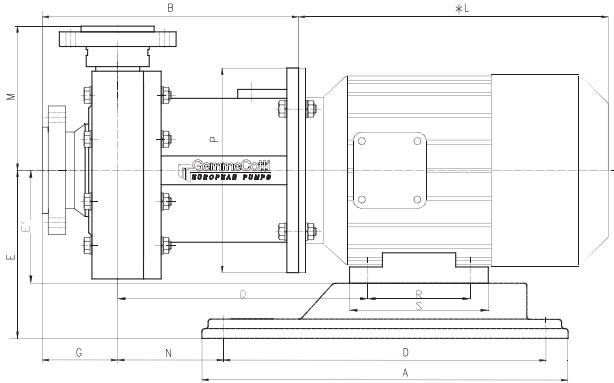
MAIN FEATURES

- **Materials available:** PP / PVDF.
- **Materials in contact with the liquid:** pump head and impeller PP or PVDF; o-ring EPDM (standard for PP pumps) VITON (standard for PVDF pumps); shaft: ceramic Al_2O_3 99,7%; bushing PTFEC.
- **Max capacity:** 130 m³/h.
- **Max head:** 48m.
- **Max temperature:** PP: 70°C –PVDF: 90°C.
- **Viscosity:** 200 cSt.
- **Max pressure:** NP 6 at 20°C.
- Flanged or threaded connections according to the pump size.
- Strong structure, maximum resistance to corrosive liquids.

PERFORMANCE CURVES 50Hz - 2900 RPM



HCM 32-25 / 40-32 / 50-40 / 65-50L PP/PVDF

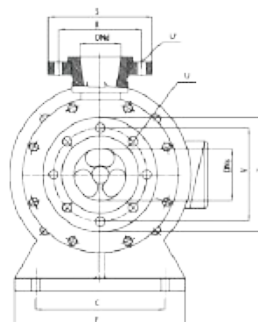
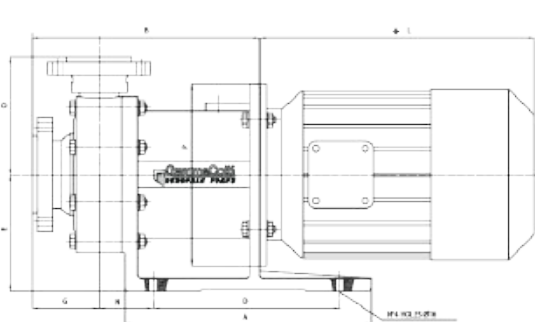


DIMENSIONS - mm -

PUMP TYPE	MOTOR FLAN-CE B3-B5	kW	A	B	C	D	E	E'	F	G	H	I	*L	M	N	P	Q	R	S	FLANGES DIN PN 10 - DIMENSIONS - mm						
																				T	U	V	Z	DNs	DNd	ø holes
HCM 32-25	71	0.55	280	187	130	244	119	71	160	75	112	140	260	115	45	158.5	157	90	110	85	117	100	143	32	25	14
HCM 40-32	80 90	1.1 1.5	350	236 246	146	302	140 150	80 90	205	85	125 140	160 170	280	142	80 84	200	200 216	100	130 153	100	143	110	153	40	32	14
HCM 50-40	90 100	2.2 3	350 400	268	146 202	302 352	150 160	90 100	205 250	84	140 160	180 200	280 316	149	108 127	200 250	240 267	125 140	160 182	110	153	125	168	50	40	18
HCM 65-50-L	112	4	400	331	202	352	172	112	250	103	190	230	324	171	142	250	298	140	195	125	168	145	188	65	50	18

* Different according to the manufacturer

HCM 65-50H / 80-65 / 100-80 PP/PVDF



DIMENSIONS - mm -

PUMP TYPE	MOTOR FLANGE B5	kW	A	B	C	D	E	F	G	*L	N	O	P	FLANGES DIN PN 10 - DIMENSIONS - mm							
														R	S	U	U'	V	Z	DNs	DNd
HCM 65-50-H	132 132 132	5.5 7.5 9	365	351	216	250	192	274	103	383 421 421	98	171	300	125	168	n° 4 ø 18 holes	n° 4 ø 18 holes	145	188	65	50
HCM 80-65	132S2 160M2A 160M2B 160L2	7.5 11 15 18.5	475	430	250	360	225	330	130	421 510 510 554	106	234	300 350 350 350	145	188	n° 8 ø 18 holes	n° 4 ø 18 holes	160	200	80	65
HCM 100-80	160M2A 160M2B 160L2 180M2	11 15 18.5 22	475	436	250	360	225	330	126	510 510 554 595	105	263	350	160	200	n° 8 ø 18 holes	n° 8 ø 18 holes	180	220	100	80

* Different according to the manufacturer



GEMMECOTTI SRL

Via Po 23-25-27
20031 Cesate MILANO | ITALY
EUROPEAN UNION

Ph: +39 02.96460406
info@gemmecotti.com



www.gemmecotti.com

