

CHEMICAL PUMPS SINCE 1992



GENERAL
CATALOGUE

2025 | 2026

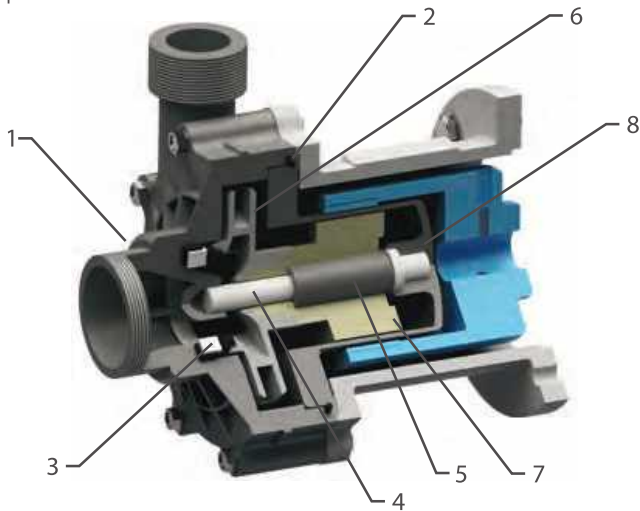


MAG-DRIVE CENTRIFUGAL PUMPS

SEAL-LESS MAG DRIVE CENTRIFUGAL PUMPS

In seal-less magnetic drive centrifugal pumps, the external magnet is directly connected to the motor shaft and it transmits the torque to the internal magnet.

The magnetic field created produces a rotation without physical contact between the parts so the impeller spins and moves the fluid. The rear casing is placed between the two magnet joints and it hermetically closes the hydraulic part from the motor.



GemmeCotti can supply four different models of mag drive centrifugal pumps:

HTM PP/PVDF

- Thermoplastic pumps made of PP or PVDF.
- Capacity up to 130 m³/h.
- Head up to 48 mlc.
- Injection molded parts.

HTM SP PP/PVDF

- Self-priming pumps made of PP or PVDF.
- Capacity up to 25 m³/h.
- Head up to 22 mlc.

HCM PP/PVDF

- Thermoplastic pumps made of PP or PVDF.
- Capacity up to 130 m³/h.
- Head up to 48 mlc.
- Pump head machined from a block.

HTM SS 316

- Metallic pumps made of stainless steel AISI 316.
- Capacity up to 32 m³/h.
- Head up to 24 mlc.

MATERIALS IN CONTACT WITH THE LIQUID

| PART NUMBER - DESCRIPTION | CENTRIFUGAL PUMPS | | | |
|------------------------------|--|---|--|-----------------|
| | HTM PP/PVDF | HTM SP | HCM | HTM SS 316 |
| 1 - PUMP HEAD | PP or PVDF | PP or PVDF | PP or PVDF | AISI 316 |
| 2 - O-RING | EPDM or VITON | EPDM or VITON | EPDM or VITON | EPDM or VITON |
| 3 - CASING THRUST BUSH | CERAMIC Al ₂ O ₃ + EPDM or VITON | CERAMIC Al ₂ O ₃ + EPDM | CERAMIC Al ₂ O ₃ + EPDM or VITON | PTFEC |
| 4 - SHAFT | CERAMIC Al ₂ O ₃ 99,7% | CERAMIC Al ₂ O ₃ 99,7% | CERAMIC Al ₂ O ₃ 99,7% | HASTELLOY-C 276 |
| 5 - BEARINGS | PTFEC | PTFEC | PTFEC | PTFEC |
| 6 - IMPELLER | PP or PVDF | PP or PVDF | PP or PVDF | AISI 316 |
| 7 - INTERNAL MAGNET | PP or PVDF + NdFeB | PP or PVDF + NdFeB | PP or PVDF + NdFeB | AISI 316 + SmCo |
| 8 - REAR CASING | PP or PVDF | PP or PVDF | PP or PVDF | AISI 316 |



THERMOPLASTIC MAG-DRIVE CENTRIFUGAL PUMPS

MAIN FEATURES

Mag drive centrifugal pumps series **HTM PP/PVDF** are made of thermoplastic materials (**Polypropylene** and **PVDF**) and are suitable for highly corrosive liquids. Thanks to the **innovative mag drive system**, pumps model HTM PP/PVDF reduce the risks of leakage and emissions and the maintenance costs. The transmission of the motion occurs through magnetic joints without any mechanical seal and **this design guarantees the maximum safety and efficiency**. The pumped liquid has to be clean and without solids in suspension.

- **Materials available:** PP / PVDF.
- **Materials in contact with the liquid;** casing and impeller: PP/PVDF; o-ring: EPDM (standard for PP pumps); VITON (standard for PVDF pumps); static shaft: ceramic Al₂O₃ 99,7 %; Bushing PTFEC.
- **Max flow:** 130 m³/h; **Max head** 48 mlc.
- **Temperature:** PP: max 70°C – PVDF: max 90°C.
- **Max viscosity:** 200 cSt.
- **Pressure rating:** NP 6 at 20°C.
- High torque magnetic coupling NdFeB standard.
- Suitable for high corrosive liquids.
- Under head use.
- Suitable for continuous use.

ADVANTAGES

- Zero leakage and emissions.
- No mechanical seal.
- High torque magnetic coupling.
- Perfect solution for clean liquids.
- No motor/pump alignment.
- Long-term savings.
- Limited periodic maintenance.
- Safe and reliable.



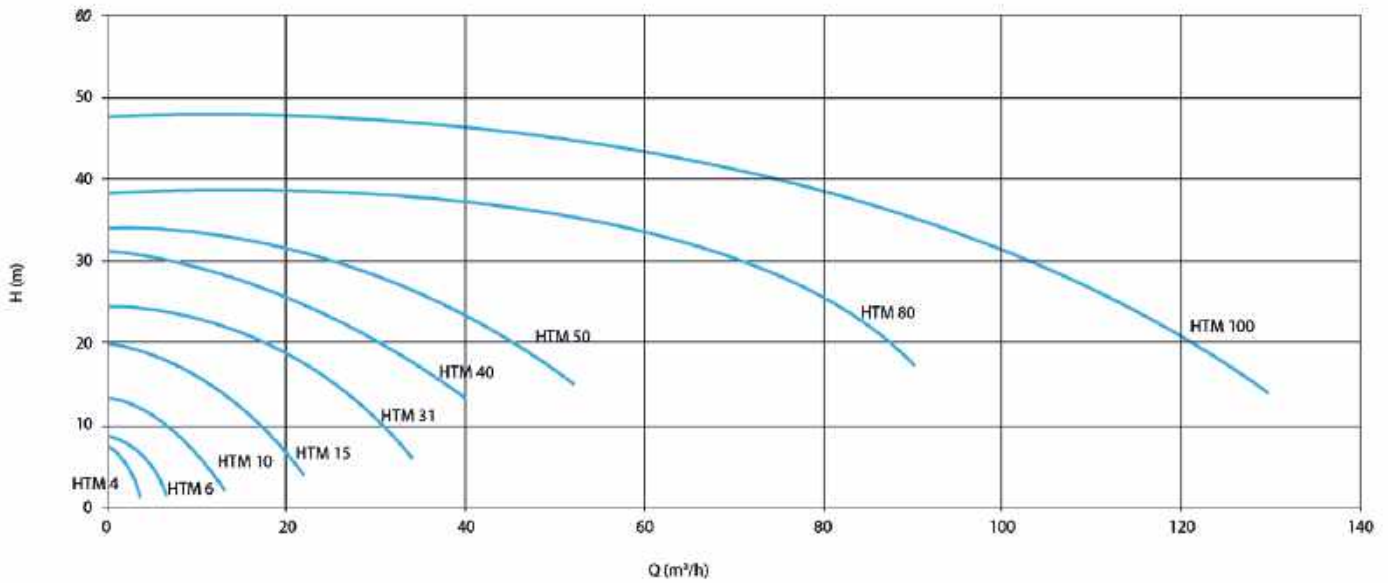
OPTIONAL

- Flanges available (DIN or ANSI).
- Dry-running protection.
- Baseplate.
- HTM pumps are available also for **NEMA motors** and with **NPT connections**.
- Available in **ATEX version** for zone 2 II 3G (mod. EM-C PP/PVDF).

STANDARD

- BSP threaded In and Out connections.
- Direct starting motor.

PERFORMANCE CURVES 50Hz - 2900 RPM - SIZES FROM HTM 4 TO HTM 100



HTM PP/PVDF TECHNICAL DATA

| PUMP SIZE | MATERIAL | Q MAX | | H MAX | | SUCTION CONNECTION | DISCHARGE CONNECTION | PUMP WEIGHT (kg) | | SUITABLE MOTOR POWER (kW) 2900 rpm | MOTOR FLANGE AND FRAME |
|-----------|----------|-------------|--------------|------------|-----------|--------------------|----------------------|------------------|------|------------------------------------|--|
| | | 50Hz (m³/h) | 60Hz (USGPM) | 50Hz (m/c) | 60Hz (ft) | | | PP | PVDF | | |
| HTM 4 | PP- PVDF | 3.5 | 16 | 7 | 33 | 1" FEMALE | 1/2" MALE | 0.95 | 1.05 | 0.12 | 56 B - B3 / B5 |
| HTM 6 | PP- PVDF | 6.5 | 30 | 8.5 | 42 | 1" FEMALE | 3/4" MALE | 1.6 | 1.8 | 0.25 | 63 B - B3 / B5 |
| HTM 10 | PP- PVDF | 13 | 68 | 14 | 58 | 1" 1/2 FEMALE | 1" MALE | 2.6 | 2.9 | 0.55 1.1 | 71 2B - B3 / B5 80 B - B3 / B5 |
| HTM 15 | PP- PVDF | 23 | 125 | 20 | 90 | 2" MALE | 1" 1/2 MALE | 5.8 | 6.6 | 1.1 1.5 2.2 | 80 B - B3 / B5 90 S - B3 / B5 90 L - B3 / B5 |
| HTM 31 | PP- PVDF | 35 | 185 | 24 | 115 | 2" 1/2 MALE | 2" MALE | 8.0 | 8.9 | 2.2 3 4 | 90 L - B3 / B5 100 L - B3 / B5 112 M - B3 / B5 |
| HTM 40 | PP- PVDF | 42 | 215 | 31 | 150 | 3" MALE | 2" 1/2 MALE | 19.7 | 21.3 | 3 4 | 100 L - B3/B5 112 M - B3/B5 |
| HTM 50 | PP- PVDF | 43 | 220 | 33 | 160 | 3" MALE | 2" 1/2 MALE | 32.2 | 35 | 5.5 7.5 9.2 | 132 S2A - B5 132 S2B - B5 132 MA - B5 |
| HTM 80 | PP- PVDF | 90 | 352 | 38 | 123 | DN 80 | DN 65 | 42 | 44 | 7.5 11 15 18.5 | 132 S2 - B5 160 M2A - B5 160 M2B - B5 160 L2 - B5 |
| HTM 100 | PP- PVDF | 130 | 528 | 48 | 148 | DN 100 | DN 80 | 40 | 45 | 11 15 18.5 22 | 160 M2A - B5 160 M2B - B5 160 L2 - B5 180 M2 - B5 |

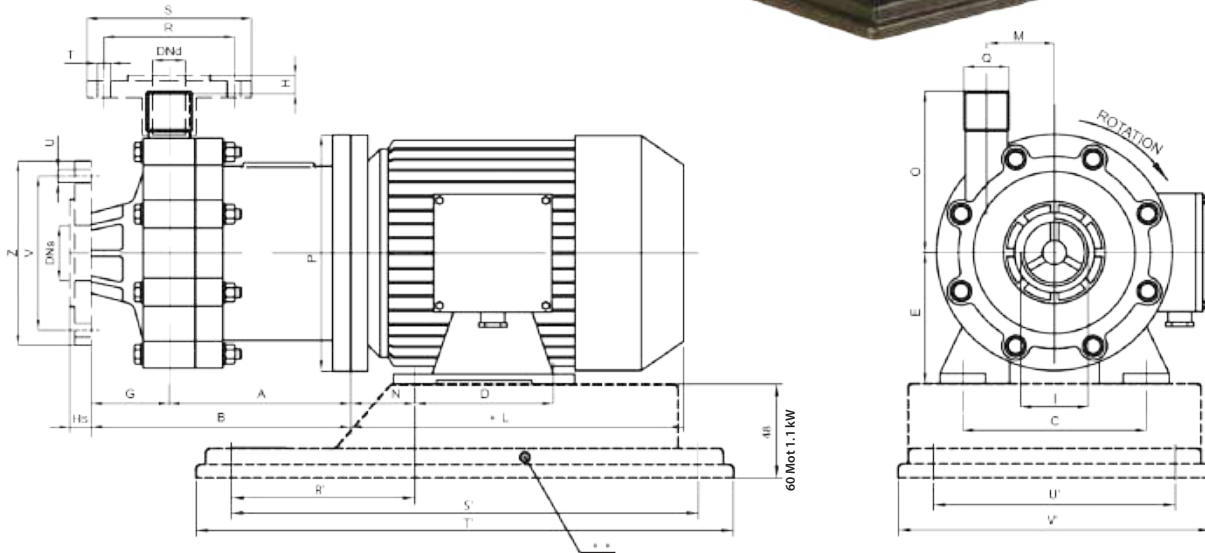


THERMOPLASTIC MAG-DRIVE CENTRIFUGAL PUMPS



HTM 4-6-10 PP/PVDF

- **Materials available:** PP / PVDF.
- **Max flow:** 13 m³/h.
- **Max head** 14 mlc.
- **Max temperature:** PP 70°C - PVDF 90°C.
- **Max viscosity:** 200 cSt.
- **System pressure:** NP 6 at 20°C.
- **Standard motor:** 2 Poles 3Phase 50/60 Hz B3 / B5.
- **Special motor upon request.**
- **Connections:** BSP (Flanges or NPT connections upon request).
- **ATEX version:** EM-C PP/PVDF II 3G ZONE 2.



DIMENSIONS - mm -

| PUMP TYPE | MOTOR FLANGE B3- B5 | kW | A | B | C | D | E | Hs | G | H | I | *L | M | N | O | P | Q | BASEPLATE DIMENSIONS -mm- | | | | |
|-----------|---------------------|------|-----|-----|-----|-----|----|----|----|---|---------------|-----|----|----|-----|-----|-----------|---------------------------|-----|-----|-----|-----|
| | | | | | | | | | | | | | | | | | | R' | S' | T' | U' | V' |
| HTM 4 | 56 B | 0.12 | 76 | 115 | 90 | 71 | 56 | - | 39 | - | 1" FEMALE | 176 | 34 | 36 | 80 | 120 | 1/2" MALE | 94 | 244 | 280 | 130 | 160 |
| HTM 6 | 63 B | 0.25 | 85 | 143 | 100 | 80 | 63 | 22 | 59 | 6 | 1" FEMALE | 191 | 45 | 40 | 98 | 140 | 3/4" MALE | 102 | 244 | 280 | 130 | 160 |
| HTM 10 | 71 2B | 0.55 | 112 | 180 | 112 | 90 | 71 | 34 | 70 | 5 | 1" 1/2 FEMALE | 215 | 45 | 45 | 100 | 160 | 1" MALE | 112 | 244 | 280 | 130 | 160 |
| HTM 10 | 80 B | 1.1 | 122 | 190 | 125 | 100 | 80 | 34 | 70 | 5 | 1" 1/2 FEMALE | 232 | 45 | 50 | 100 | 200 | 1" MALE | 120 | 302 | 350 | 157 | 205 |

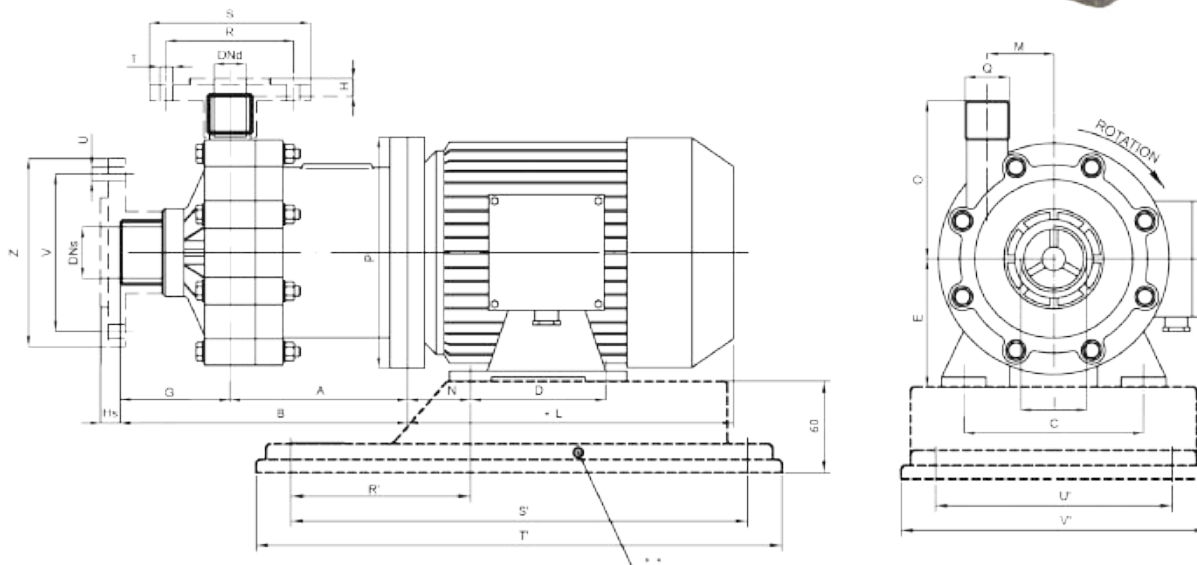
* Different according to the manufacturer. ** OPTIONAL UPON REQUEST: DIN or ANSI Flanges and Baseplates.
NOTE: DIRECTION OF ROTATION IS COUNTER CLOCKWISE AS SEEN WHEN FACING THE MOTOR.
PUMPS AVAILABLE THREADED OR FLANGED.

FLANGES DIN PN 10 DIMENSIONS - mm -

| PUMP TYPE | R | S | T | U | V | Z | DNs | DNd |
|-----------|----|-----|----|----|-----|-----|-----|-----|
| HTM 4 | - | - | - | - | - | - | - | - |
| HTM 6 | 75 | 105 | 14 | 14 | 85 | 115 | 25 | 20 |
| HTM 10 | 85 | 115 | 14 | 18 | 110 | 150 | 40 | 25 |

HTM 15-31-40 PP/PVDF

- **Materials available:** PP / PVDF.
- **Max flow:** 42 m³/h.
- **Max head** 31 mlc.
- **Max temperature:** PP 70°C - PVDF 90°C.
- **Max viscosity:** 200 cSt.
- **System pressure:** NP 6 at 20°C.
- **Standard motor:** 2 Poles 3Phase 50/60 Hz B3 / B5.
- **Special motor upon request.**
- **Connections:** BSP (Flanges or NPT connections upon request).
- **ATEX version:** EM-C PP/PVDF II 3G ZONE 2.



DIMENSIONS - mm -

| PUMP TYPE | MOTOR FLANGE B3 - B5 | KW | A | B | C | D | E | G | Hs | H | I | *L | M | N | O | P | Q | BASEPLATE DIMENSIONS - mm - | | | | |
|-----------|----------------------|-----|-----|-----|-----|-----|-----|----|----|----|-------------|-----|------|----|-----|-----|-------------|-----------------------------|-----|-----|-----|-----|
| | | | | | | | | | | | | | | | | | | R | S | T | U | V |
| HTM 15 | 80 B | 1.1 | 151 | 231 | 125 | 100 | 80 | 80 | 14 | 13 | 2" MALE | 232 | 66 | 50 | 135 | 200 | 1" 1/2 MALE | 120 | 302 | 350 | 157 | 205 |
| HTM 15 | 90 S | 1.5 | 161 | 241 | 140 | 100 | 90 | 80 | 14 | 13 | 2" MALE | 256 | 66 | 56 | 135 | 200 | 1" 1/2 MALE | 132 | 302 | 350 | 157 | 205 |
| HTM 15 | 90 L | 2.2 | 161 | 241 | 140 | 125 | 90 | 80 | 14 | 13 | 2" MALE | 280 | 66 | 56 | 135 | 200 | 1" 1/2 MALE | 132 | 302 | 350 | 157 | 205 |
| HTM 31 | 90 L | 2.2 | 183 | 274 | 140 | 125 | 90 | 91 | 14 | 13 | 2" 1/2 MALE | 280 | 66 | 56 | 140 | 200 | 2" MALE | 132 | 302 | 350 | 157 | 205 |
| HTM 31 | 100 L | 3 | 203 | 294 | 160 | 140 | 100 | 91 | 14 | 13 | 2" 1/2 MALE | 315 | 66 | 63 | 140 | 250 | 2" MALE | 140 | 352 | 400 | 202 | 250 |
| HTM 31 | 112 M | 4 | 203 | 294 | 190 | 140 | 112 | 91 | 14 | 13 | 2" 1/2 MALE | 325 | 66 | 70 | 140 | 250 | 2" MALE | 156 | 352 | 400 | 202 | 250 |
| HTM 40 | 100 L | 3 | 228 | 320 | 160 | 140 | 100 | 92 | 10 | 10 | 3" MALE | 315 | 82.5 | 63 | 170 | 250 | 2" 1/2 MALE | 140 | 352 | 400 | 202 | 250 |
| HTM 40 | 112 M | 4 | 228 | 320 | 190 | 140 | 112 | 92 | 10 | 10 | 3" MALE | 325 | 82.5 | 70 | 170 | 250 | 2" 1/2 MALE | 156 | 352 | 400 | 202 | 250 |

FLANGES DIN PN 10 DIMENSIONS - mm -

| PUMP TYPE | R | S | T | U | V | Z | DNs | DNd |
|-----------|-----|-----|----|----|-----|-----|-----|-----|
| HTM 15 | 110 | 153 | 18 | 18 | 125 | 168 | 50 | 40 |
| HTM 31 | 125 | 168 | 18 | 18 | 145 | 188 | 65 | 50 |
| HTM 40 | 145 | 188 | 18 | 18 | 160 | 203 | 80 | 65 |

* Different according to the manufacturer. ** OPTIONAL UPON REQUEST: DIN or ANSI Flanges and Baseplates.

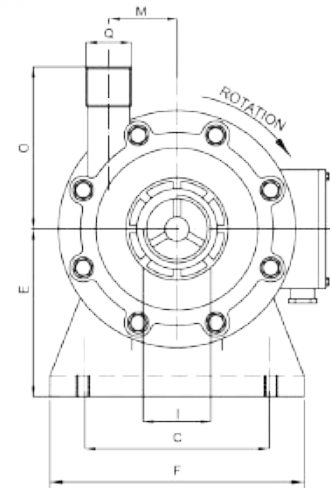
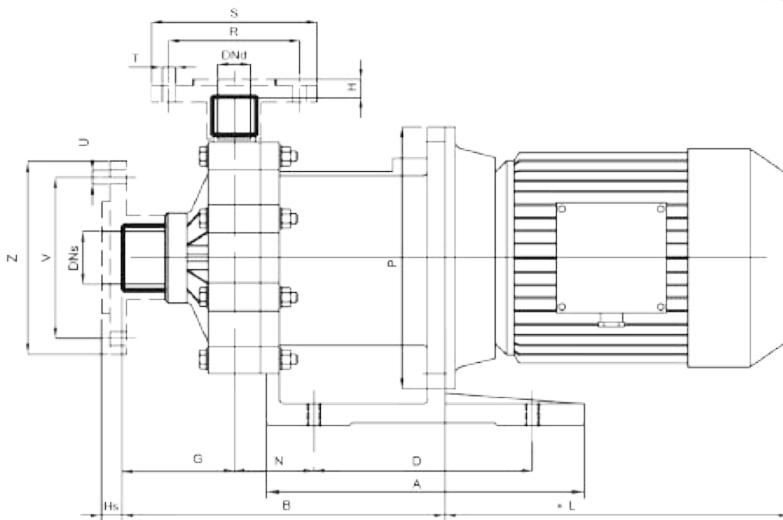
NOTE: DIRECTION OF ROTATION IS COUNTER CLOCKWISE AS SEEN WHEN FACING THE MOTOR. PUMPS AVAILABLE THREADED OR FLANGED.



THERMOPLASTIC MAG-DRIVE CENTRIFUGAL PUMPS

HTM 50 PP/PVDF

- **Materials available:** PP / PVDF.
- **Max flow:** 43 m³/h.
- **Max head** 33 mlc.
- **Max temperature:** PP 70°C - PVDF 90°C.
- **Max viscosity:** 200 cSt.
- **System pressure:** NP 6 at 20°C.
- **Standard motor:** 2 Poles 3Phase 50/60 Hz B5.
- **Special motor upon request.**
- **Connections:** BSP (Flanges or NPT connections upon request).
- **ATEX version:** EM-C PP/PVDF II 3G ZONE 2.



DIMENSIONS - mm -

| PUMP TYPE | MOTOR FLANGE B5 | kW | A | B | C | D | E | F | G | H | Hs | I | *L | M | N | O | P | Q |
|-----------|-----------------|-----|-----|-----|-----|-----|-----|-----|----|----|----|---------|-----|------|----|-----|-----|-------------|
| HTM 50 | 132 S2A | 5.5 | 365 | 339 | 216 | 250 | 192 | 274 | 92 | 10 | 10 | 3" MALE | 383 | 82.5 | 98 | 170 | 300 | 2" 1/2 MALE |
| HTM 50 | 132 S2B | 7.5 | 365 | 339 | 216 | 250 | 192 | 274 | 92 | 10 | 10 | 3" MALE | 421 | 82.5 | 98 | 170 | 300 | 2" 1/2 MALE |
| HTM 50 | 132 MA | 9.2 | 365 | 339 | 216 | 250 | 192 | 274 | 92 | 10 | 10 | 3" MALE | 475 | 82.5 | 98 | 170 | 300 | 2" 1/2 MALE |

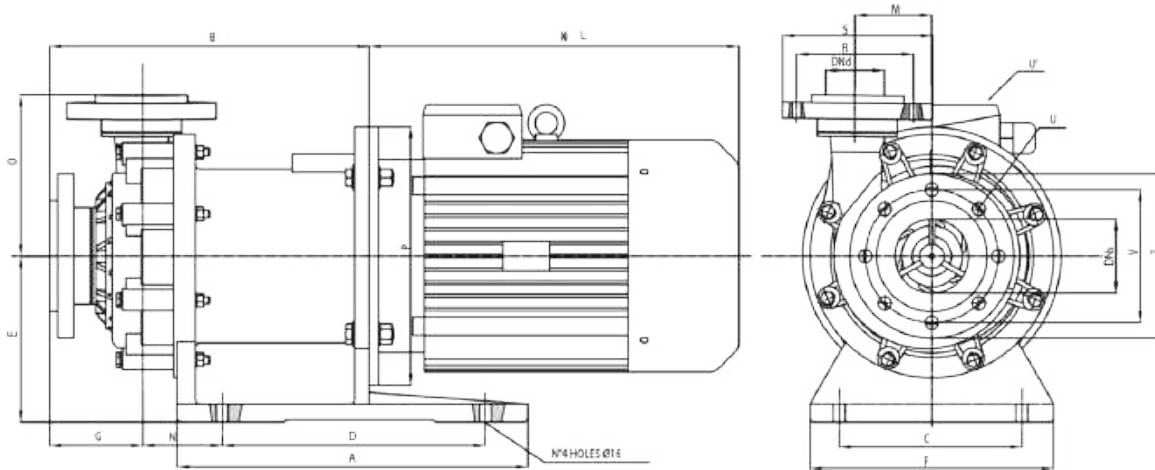
* Different according to the manufacturer * OPTIONAL UPON REQUEST: DIN or ANSI Flanges.
 NOTE: DIRECTION OF ROTATION IS COUNTER CLOCKWISE AS SEEN WHEN FACING THE MOTOR.
 PUMPS AVAILABLE THREADED OR FLANGED.

FLANGES DIN PN 10 DIMENSIONS - mm -

| PUMP TYPE | R | S | T | U | V | Z | DNh | DNd |
|-----------|-----|-----|----|----|-----|-----|-----|-----|
| HTM 50 | 145 | 188 | 18 | 18 | 160 | 203 | 80 | 65 |

HTM 80-100 PP/PVDF

- **Materials available:** PP / PVDF.
- **Max flow:** 130 m³/h.
- **Max head** 48 mlc.
- **Max temperature:** PP 70°C - PVDF 90°C.
- **Max viscosity:** 200 cSt.
- **System pressure:** NP 6 at 20°C.
- **Standard motor:** 2 Poles 3Phase 50/60 Hz B5.
- **Special motor upon request.**
- **Connections:** DIN or ANSI Flanges.
- **ATEX version:** EM-C PP/PVDF II 3G ZONE 2.



DIMENSIONS - mm -

| PUMP TYPE | MOTOR FLANGE B5 | kW | A | B | C | D | E | F | G | *L | M | N | O | P |
|-----------|-----------------|------|-----|-----|-----|-----|-----|-----|-----|-----|-----|-----|-----|-----|
| HTM 80 | 132S2 | 7.5 | 475 | 433 | 250 | 360 | 225 | 330 | 126 | 421 | 103 | 104 | 215 | 300 |
| HTM 80 | 160M2A | 11 | 475 | 433 | 250 | 360 | 225 | 330 | 126 | 510 | 103 | 104 | 215 | 350 |
| HTM 80 | 160M2B | 15 | 475 | 433 | 250 | 360 | 225 | 330 | 126 | 510 | 103 | 104 | 215 | 350 |
| HTM 80 | 160L2 | 18.5 | 475 | 433 | 250 | 360 | 225 | 330 | 126 | 554 | 103 | 104 | 215 | 350 |
| HTM 100 | 160M2A | 11 | 475 | 435 | 250 | 360 | 225 | 330 | 124 | 510 | 103 | 104 | 217 | 350 |
| HTM 100 | 160M2B | 15 | 475 | 435 | 250 | 360 | 225 | 330 | 124 | 510 | 103 | 104 | 217 | 350 |
| HTM 100 | 160L2 | 18.5 | 475 | 435 | 250 | 360 | 225 | 330 | 124 | 554 | 103 | 104 | 217 | 350 |
| HTM 100 | 180M2 | 22 | 475 | 435 | 250 | 360 | 225 | 330 | 124 | 595 | 103 | 104 | 217 | 350 |

FLANGES DIN PN 10 DIMENSIONS - mm -

| PUMP TYPE | R | S | U | U' | V | Z | DNs | DNd |
|-----------|-----|-----|--------------------|--------------------|-----|-----|-----|-----|
| HTM 80 | 145 | 188 | n° 8 holes ø 18 | n° 4 holes ø 18 | 160 | 200 | 80 | 65 |
| HTM 100 | 160 | 200 | n° 8 holes ø 18 | n° 8 holes ø 18 | 180 | 220 | 100 | 80 |

* Different according to the manufacturer * HTM 80-100: standard pumps supplied DIN Flanges.
NOTE: DIRECTION OF ROTATION IS COUNTER CLOCKWISE AS SEEN WHEN FACING THE MOTOR.



GEMMECOTTI SRL

Via Po 23-25-27
20031 Cesate MILANO | ITALY
EUROPEAN UNION

Ph: +39 02.96460406
info@gemmecotti.com



www.gemmecotti.com

