

CHEMICAL PUMPS SINCE 1992



GENERAL
CATALOGUE

2025 | 2026

VERTICAL PUMPS

VERTICAL CENTRIFUGAL PUMPS

Vertical centrifugal pumps are suitable for installations with the pump immersed directly in the tank.

GemmeCotti supplies the following models of vertical pumps:

HV PP/PVDF

- Thermoplastic pumps made of PP or PVDF.
- Capacity up to 40 m³/h.
- Head up to 22 m.
- Monobloc pump with semi open-impeller.
- Suitable for highly corrosive liquids with solids in suspension.
- Column length up to 1000 mm.

HVL PP/PVDF

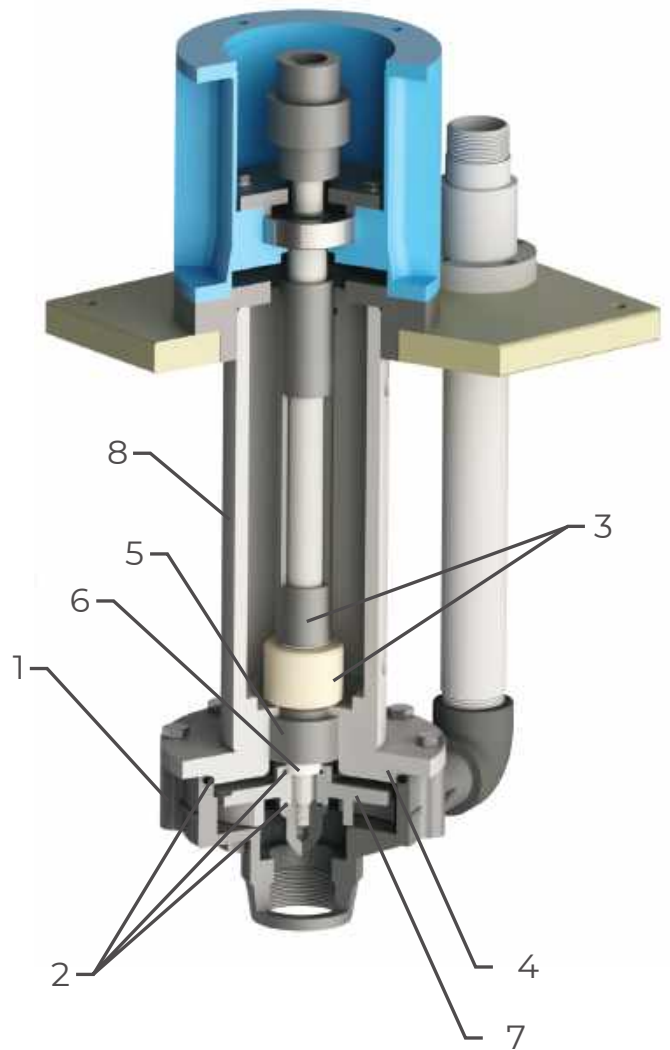
- Thermoplastic pumps made of PP or PVDF.
- Capacity up to 130 m³/h.
- Head up to 48 m.
- Centrifugal pump with coupling and semi open-impeller.
- Suitable for highly corrosive liquids with solids in suspension.
- Column length up to 2000 mm.

HTM-V PP/PVDF

- Vertical magnetic drive pumps.
- Thermoplastic pumps made of PP or PVDF.
- Capacity up to 23 m³/h.
- Head up to 20 m.
- Column length: 320 mm.

PVA AISI 316

- Vertical centrifugal cantilever pumps.
- Made of AISI 316.
- Capacity up to 24 m³/h.
- Head up to 26 m.
- Especially designed for the production of PCBs.



MATERIALS IN CONTACT WITH THE LIQUID		
PART NUMBER - DESCRIPTION	VERTICAL PUMPS	
	HV	HVL
1 - PUMP HEAD	PP or PVDF	PP or PVDF
2 - O-RING	EPDM or VITON	EPDM or VITON
3 - SHAFT COVERING/ GUIDE SHAFT COV.	PP	PP
4 - COVER	PP or PVDF	PP or PVDF
5 - BUSHING	PTFEC	PTFEC
6 - WEAR BUSHING	Al ₂ O ₃	Al ₂ O ₃
7 - IMPELLER	PP or PVDF	PP or PVDF
8 - COLUMN	PP or PVDF	PP or PVDF



VERTICAL MAG DRIVE CENTRIFUGAL PUMPS



Vertical mag drive centrifugal pumps series HTM-V are made of thermoplastic materials (**Polypropylene** and **PVDF**) and are suitable to handle chemicals and corrosive liquids. This kind of pump has been designed for a vertical submerged installation, providing high reliability for intank and sump applications. HTM-V are **seal-less magnetic drive pumps** without any kind of labyrinth or mechanical seal. **The column of the pump is hermetically sealed** and it allows complete isolation of the motor, the extension shaft and external magnet of the pump from the process liquid.

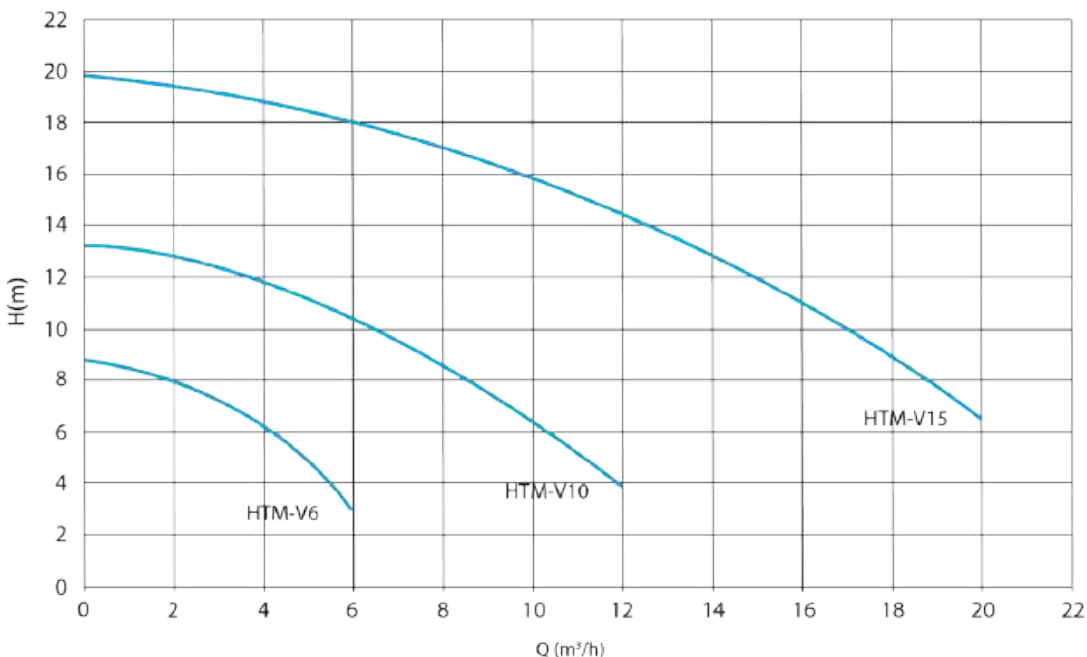
MAIN FEATURES

- **Materials available:** PP / PVDF.
- **Materials in contact with the liquid:** casing and impeller: PP/PVDF; o-ring: EPDM (standard for PP pumps); VITON (standard for PVDF pumps); shaft: Al²O³ 99,7%; bushing: PTFEC.
- **Max flow:** 22 m³/h; **Max head** 20 m.
- **Temperature:** PP: max 70°C – PVDF: max 90°C.
- Compact design, **column length 320mm.**

OPTIONAL

- Dry running protection device.
- Also available with bracket suitable for NEMA motors.

PERFORMANCE CURVES 50Hz - 2900 RPM





GEMMECOTTI SRL

Via Po 23-25-27
20031 Cesate MILANO | ITALY
EUROPEAN UNION

Ph: +39 02.96460406
info@gemmecotti.com



www.gemmecotti.com

