

CHEMICAL PUMPS SINCE 1992



**GENERAL
CATALOGUE**

2025 | 2026

VERTICAL PUMPS

VERTICAL CENTRIFUGAL PUMPS

Vertical centrifugal pumps are suitable for installations with the pump immersed directly in the tank.

GemmeCotti supplies the following models of vertical pumps:

HV PP/PVDF

- Thermoplastic pumps made of PP or PVDF.
- Capacity up to 40 m³/h.
- Head up to 22 m.
- Monobloc pump with semi open-impeller.
- Suitable for highly corrosive liquids with solids in suspension.
- Column length up to 1000 mm.

HVL PP/PVDF

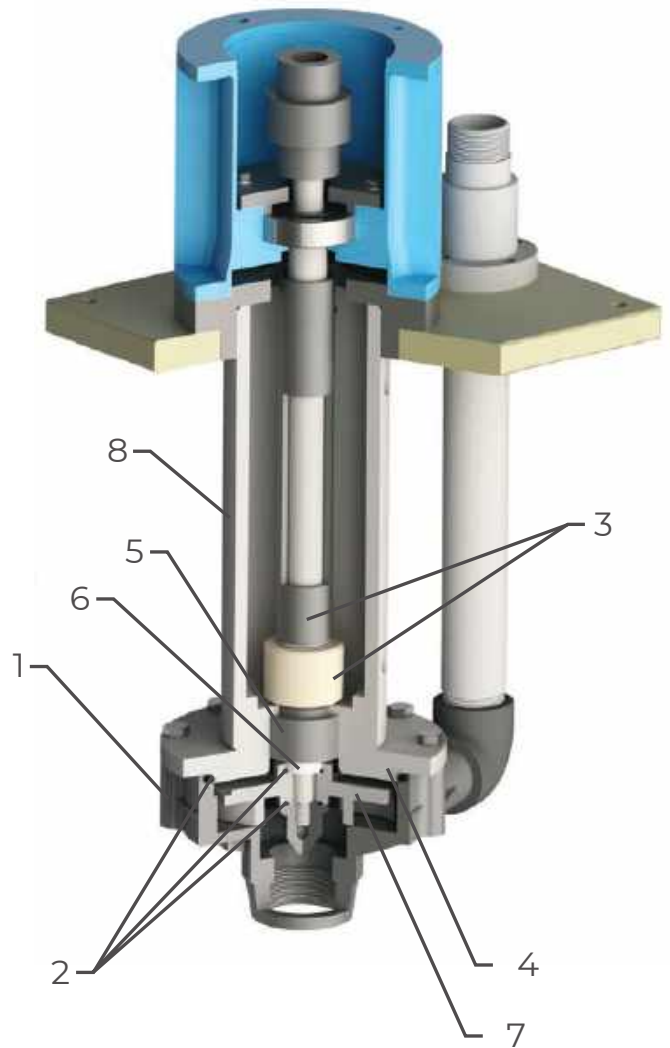
- Thermoplastic pumps made of PP or PVDF.
- Capacity up to 130 m³/h.
- Head up to 48 m.
- Centrifugal pump with coupling and semi open-impeller.
- Suitable for highly corrosive liquids with solids in suspension.
- Column length up to 2000 mm.

HTM-V PP/PVDF

- Vertical magnetic drive pumps.
- Thermoplastic pumps made of PP or PVDF.
- Capacity up to 23 m³/h.
- Head up to 20 m.
- Column length: 320 mm.

PVA AISI 316

- Vertical centrifugal cantilever pumps.
- Made of AISI 316.
- Capacity up to 24 m³/h.
- Head up to 26 m.
- Especially designed for the production of PCBs.



MATERIALS IN CONTACT WITH THE LIQUID		
PART NUMBER - DESCRIPTION	VERTICAL PUMPS	
	HV	HVL
1 - PUMP HEAD	PP or PVDF	PP or PVDF
2 - O-RING	EPDM or VITON	EPDM or VITON
3 - SHAFT COVERING/ GUIDE SHAFT COV.	PP	PP
4 - COVER	PP or PVDF	PP or PVDF
5 - BUSHING	PTFEC	PTFEC
6 - WEAR BUSHING	Al ₂ O ₃	Al ₂ O ₃
7 - IMPELLER	PP or PVDF	PP or PVDF
8 - COLUMN	PP or PVDF	PP or PVDF



MAIN FEATURES

- Centrifugal monobloc pump.
- **Materials available:** PP / PVDF.
- **Max flow:** 40 m³/h; **Max head:** 22 m.
- **Temperature:** PP: max 70°C; PVDF: max 90°C.
- Suitable for highly corrosive liquids containing solids in suspension.
- **Column length:** 500 - 800 - 1000 mm.

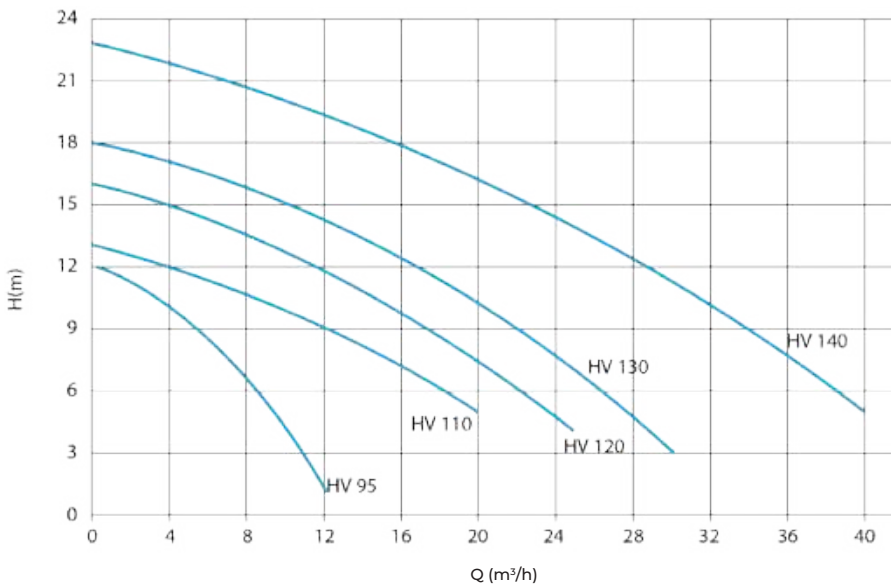
STANDARD

- BSP threaded In and Out connections.

OPTIONAL

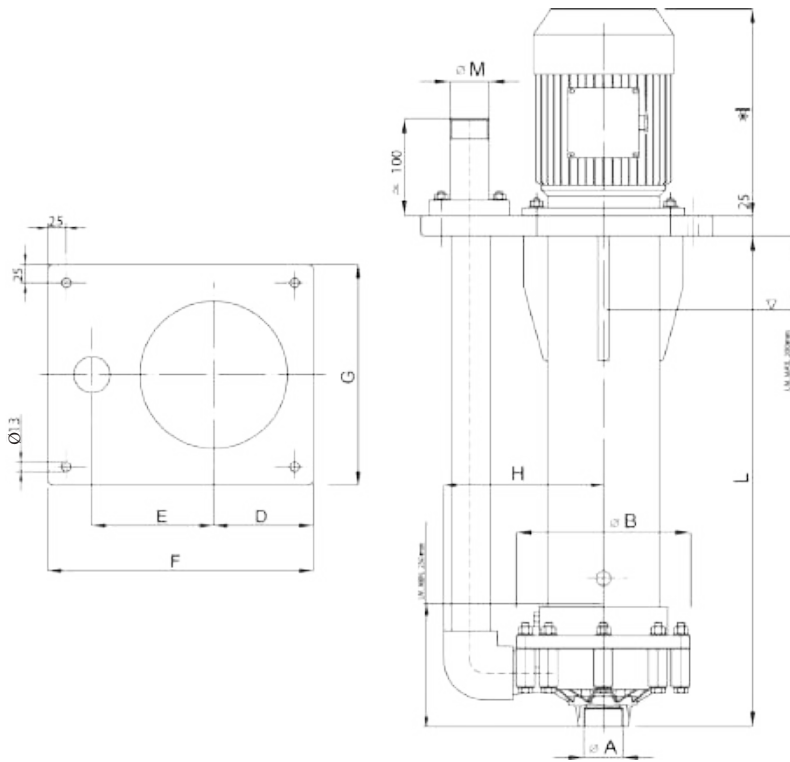
- Dry-running protection device.
- Flanges available.
- Suction strainer.

PERFORMANCE CURVES 50Hz - 2900 RPM




HV TECHNICAL DATA

PUMP SIZE	MATERIAL	Q _{MAX}		H _{MAX}		SUCTION CONNECTION	DISCHARGE CONNECTION	COLUMN LENGTHS (mm)	SUITABLE MOTOR POWER (kW) 2900 rpm	MOTOR FLANGE AND FRAME
		50Hz (m ³ /h)	60Hz (USGPM)	50Hz (m/c)	60Hz (ft)					
HV 95	PP- PVDF	12	62	12	55	2" FEMALE	1" 1/2 MALE	500 - 800 - 1000	0.75	80 2A - B5
HV 110	PP- PVDF	20	105	13	60	2" FEMALE	1" 1/2 MALE	500 - 800 - 1000	1.1	80 2B - B5
HV 120	PP- PVDF	25	132	16	75	2" FEMALE	1" 1/2 MALE	500 - 800 - 1000	1.5	90 S - B5
HV 130	PP- PVDF	30	158	18	90	2" FEMALE	1" 1/2 MALE	500 - 800 - 1000	2.2	90 L - B5
HV 140	PP- PVDF	40	210	22	105	2" FEMALE	1" 1/2 MALE	500 - 800 - 1000	3	100 L - B5

HV 95 - 110 - 120 - 130 - 140 PP/PVDF

DIMENSIONS - mm -

PUMP TYPE	MOTOR FLANGE B5	kW	DIMENSIONS - mm -									
			$\varnothing A$	$\varnothing M$	$\varnothing B$	D	E	F	G	H	*I	L
HV95	80 2A	0.75									215	
HV110	80 2B	1.1									230	
HV120	90 S	1.5	2" FEMALE	1" 1/2 MALE	215	135	165	360	300	196	255	Upon request 500 - 800 - 1000 mm
HV130	90 L	2.2									280	
HV140	100 L	3									315	

* Different according to the motor supplier.



GEMMECOTTI SRL

Via Po 23-25-27
20031 Cesate MILANO | ITALY
EUROPEAN UNION

Ph: +39 02.96460406
info@gemmecotti.com



www.gemmecotti.com

