

CHEMICAL PUMPS SINCE 1992



GENERAL
CATALOGUE

2025 | 2026

VERTICAL PUMPS

VERTICAL CENTRIFUGAL PUMPS

Vertical centrifugal pumps are suitable for installations with the pump immersed directly in the tank.

GemmeCotti supplies the following models of vertical pumps:

HV PP/PVDF

- Thermoplastic pumps made of PP or PVDF.
- Capacity up to 40 m³/h.
- Head up to 22 m.
- Monobloc pump with semi open-impeller.
- Suitable for highly corrosive liquids with solids in suspension.
- Column length up to 1000 mm.

HVL PP/PVDF

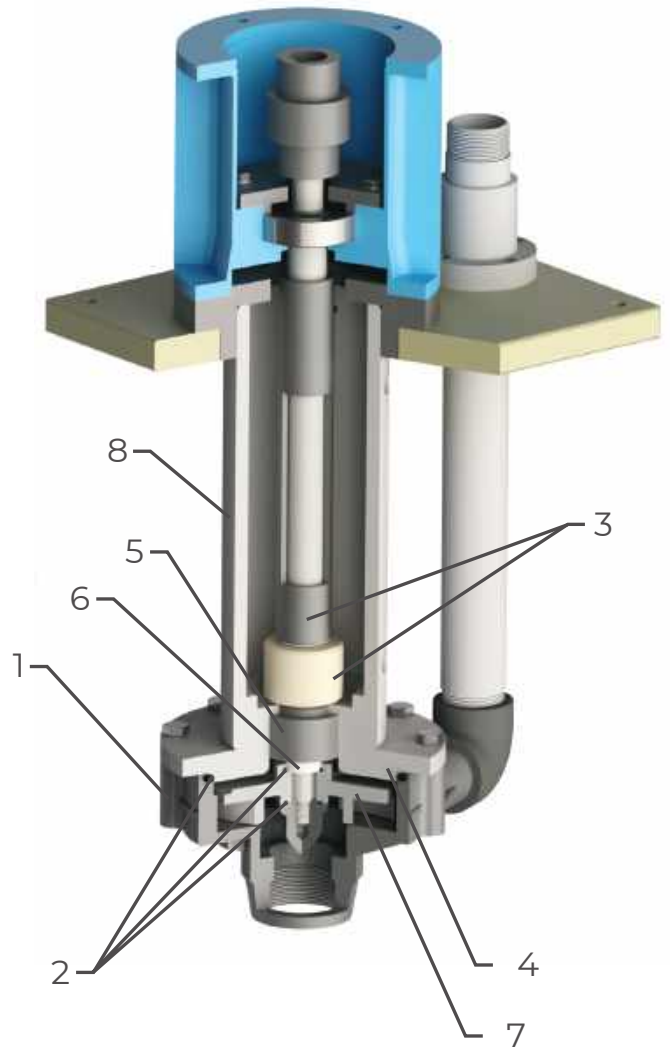
- Thermoplastic pumps made of PP or PVDF.
- Capacity up to 130 m³/h.
- Head up to 48 m.
- Centrifugal pump with coupling and semi open-impeller.
- Suitable for highly corrosive liquids with solids in suspension.
- Column length up to 2000 mm.

HTM-V PP/PVDF

- Vertical magnetic drive pumps.
- Thermoplastic pumps made of PP or PVDF.
- Capacity up to 23 m³/h.
- Head up to 20 m.
- Column length: 320 mm.

PVA AISI 316

- Vertical centrifugal cantilever pumps.
- Made of AISI 316.
- Capacity up to 24 m³/h.
- Head up to 26 m.
- Especially designed for the production of PCBs.



MATERIALS IN CONTACT WITH THE LIQUID		
PART NUMBER - DESCRIPTION	VERTICAL PUMPS	
	HV	HVL
1 - PUMP HEAD	PP or PVDF	PP or PVDF
2 - O-RING	EPDM or VITON	EPDM or VITON
3 - SHAFT COVERING/ GUIDE SHAFT COV.	PP	PP
4 - COVER	PP or PVDF	PP or PVDF
5 - BUSHING	PTFEC	PTFEC
6 - WEAR BUSHING	Al ₂ O ₃	Al ₂ O ₃
7 - IMPELLER	PP or PVDF	PP or PVDF
8 - COLUMN	PP or PVDF	PP or PVDF



MAIN FEATURES

- Centrifugal pump with coupling.
- **Materials available:** PP/PVDF.
- **Max flow:** 130 m³/h; **Max head:** 48 m.
- **Temperature:** PP: max 70°C; - PVDF: max 90°C.
- Suitable for highly corrosive liquids containing solids in suspension.
- **Column length:** from 500 to 2000 mm.

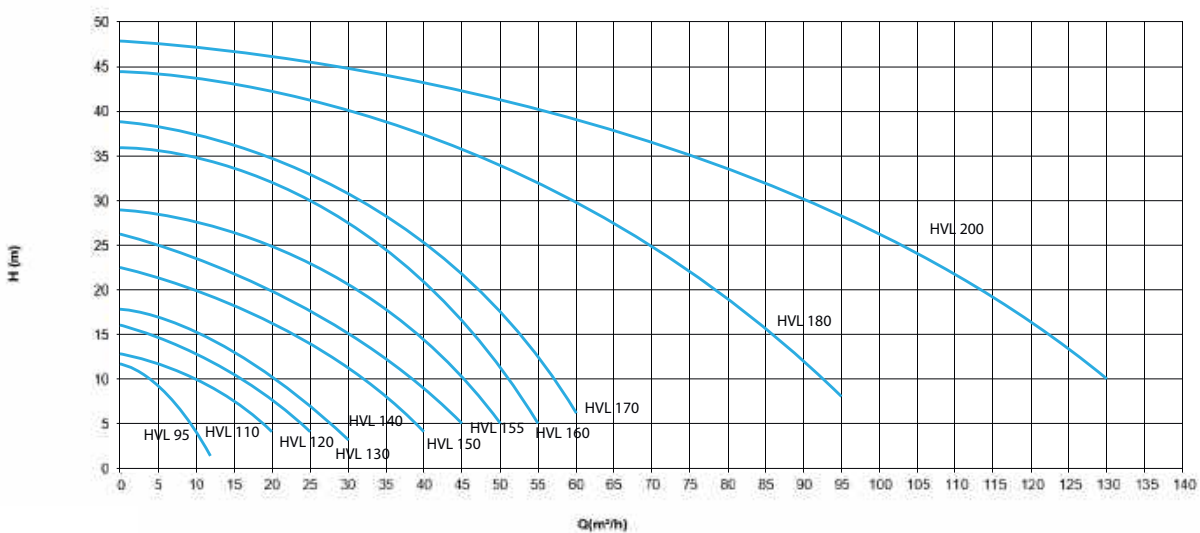
STANDARD

- BSP threaded In and Out connections device.

OPTIONAL

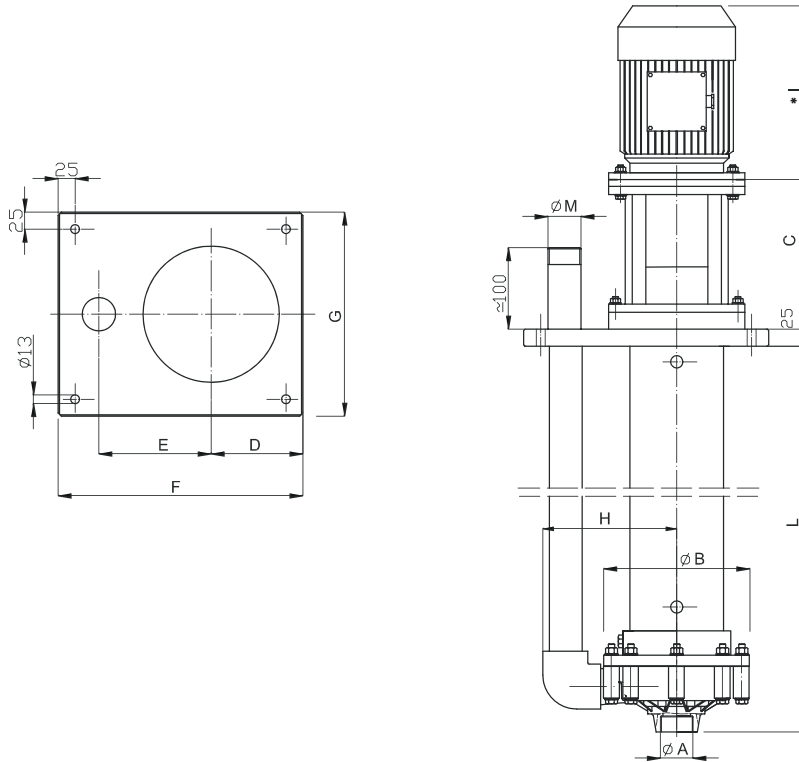
- Dry-running protection device.
- Flanges available.
- Suction strainer.

PERFORMANCE CURVES 50Hz - 2900 RPM




HVL TECHNICAL DATA

PUMP SIZE	MATERIAL	Q MAX		H MAX		SUCTION CONNECTION	DISCHARGE CONNECTION	COLUMN LENGTHS (mm)	SUITABLE MOTOR POWER (kW) 2900 rpm	MOTOR FLANGE AND FRAME
		50Hz (m³/h)	60Hz (USGPM)	50Hz (m/c)	60Hz (ft)					
HVL 95	PP- PVDF	12	62	12	55	2" FEMALE	1" 1/2 MALE	from 500 to 2000	0.75	80 2A - B5
HVL 110	PP- PVDF	20	105	13	60	2" FEMALE	1" 1/2 MALE	from 500 to 2000	1.1	80 2B - B5
HVL 120	PP- PVDF	25	132	16	75	2" FEMALE	1" 1/2 MALE	from 500 to 2000	1.5	90 S - B5
HVL 130	PP- PVDF	30	158	18	90	2" FEMALE	1" 1/2 MALE	from 500 to 2000	2.2	90 L - B5
HVL 140	PP- PVDF	40	210	22	105	2" FEMALE	1" 1/2 MALE	from 500 to 2000	3-4	100 L - 112 M - B5

HVL 95 - 110 - 120 - 130 - 140 PP/PVDF

DIMENSIONS - mm -

PUMP TYPE	MOTOR FLANGE B5	kW	DIMENSIONS - mm -										
			Ø A	Ø M	Ø B	C	D	E	F	G	H	I	L
HVL 95	802A	0.75				210						215	
HVL 110	802B	1.1				210						230	
HVL 120	90 S	1.5	2" FEMALE	1" 1/2 MALE	215	220	135	165	360	300	196	255	Upon request from 500 to 2000 mm
HVL 130	90 L	2.2				220						280	
HV 140	100L	3				230						315	
HV 140	112M	4	230	337									

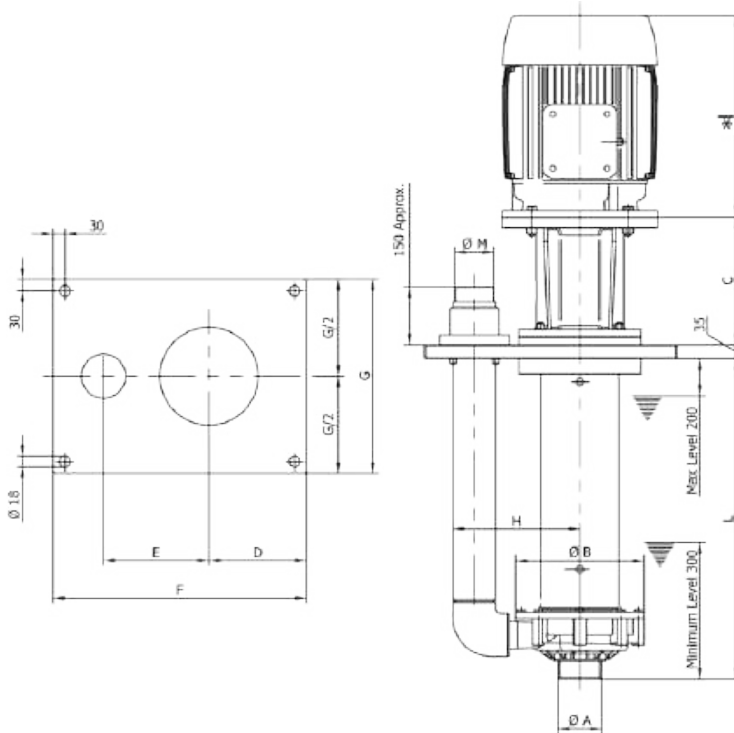
* Different according to the motor supplier



HVL TECHNICAL DATA

PUMP SIZE	MATERIAL	Q MAX		H MAX		SUCTION CONNECTION	DISCHARGE CONNECTION	COLUMN LENGTHS (mm)	SUITABLE MOTOR POWER (kW) 2900 rpm	MOTOR FLANGE AND FRAME
		50Hz (m³/h)	60Hz (USCPM)	50Hz (m/c)	60Hz (ft)					
HVL 150	PP- PVDF	45	240	26	120	3" MALE	2" MALE	from 500 to 2000	5.5 - 7.5	132 S2A - 132 SB - B5
HVL 155	PP- PVDF	50	265	29	140	3" MALE	2" MALE	from 500 to 2000	5.5 - 7.5	132 S2A - 132 SB - B5
HVL 160	PP- PVDF	55	290	36	175	3" MALE	2" MALE	from 500 to 2000	7.5 - 9.2	132 SB - 132 MA - B5
HVL 170	PP- PVDF	57	300	39	180	3" MALE	2" MALE	from 500 to 2000	9	132 S - B5
HVL 180	PP- PVDF	95	502	44	208	4" MALE	3" 1/2 MALE	from 500 to 2000	11 - 22 - 37	160M - 180M - 200L - B5
HVL 200	PP- PVDF	130	687	48	227	4" MALE	3" 1/2 MALE	from 500 to 2000	11 - 22 - 37	160M - 180M - 200L - B5

HVL 150 - 155 - 160 - 170 - 180 - 200 PP/PVDF



DIMENSIONS - mm -

PUMP TYPE	MOTOR FLANGE B5	kW	DIMENSIONS - mm -												
			Ø A	Ø M	Ø B	C	D	E	F	G	H	I	L		
HVL 150	132SA 132SB	5.5 7.5				265									
HVL 155	132SA 132SB	5.5 7.5											380		
HVL 160	132SB 132MA	7.5 9.2	3" MALE	2" MALE	275		170	215	480	380	260		380 418	Upon request from 500 to 2000mm	
HVL 170	132S	9				250							420		
HVL 180 - HVL 200	160M 180M 200L	11 22 37	4" MALE	3" 1/2 MALE	330	330	250	271	650	500	325		531 645 760		

* Different according to the motor supplier



GEMMECOTTI SRL

Via Po 23-25-27
20031 Cesate MILANO | ITALY
EUROPEAN UNION

Ph: +39 02.96460406
info@gemmecotti.com



www.gemmecotti.com

