

CHEMICAL PUMPS SINCE 1992



GENERAL
CATALOGUE

2025 | 2026

VERTICAL PUMPS

VERTICAL CENTRIFUGAL PUMPS

Vertical centrifugal pumps are suitable for installations with the pump immersed directly in the tank.

GemmeCotti supplies the following models of vertical pumps:

HV PP/PVDF

- Thermoplastic pumps made of PP or PVDF.
- Capacity up to 40 m³/h.
- Head up to 22 m.
- Monobloc pump with semi open-impeller.
- Suitable for highly corrosive liquids with solids in suspension.
- Column length up to 1000 mm.

HVL PP/PVDF

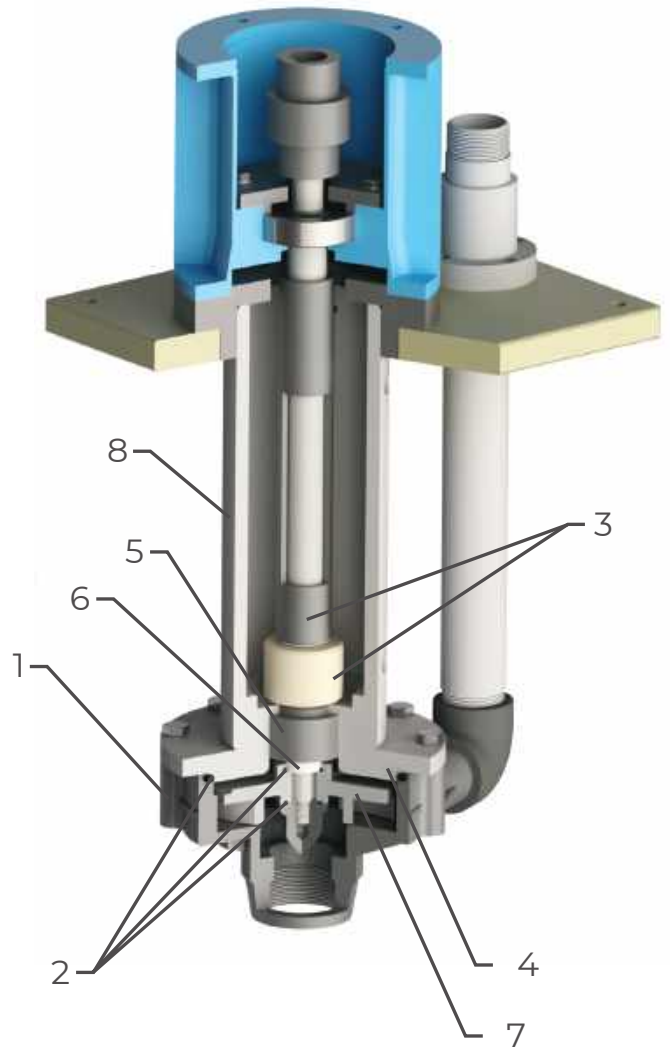
- Thermoplastic pumps made of PP or PVDF.
- Capacity up to 130 m³/h.
- Head up to 48 m.
- Centrifugal pump with coupling and semi open-impeller.
- Suitable for highly corrosive liquids with solids in suspension.
- Column length up to 2000 mm.

HTM-V PP/PVDF

- Vertical magnetic drive pumps.
- Thermoplastic pumps made of PP or PVDF.
- Capacity up to 23 m³/h.
- Head up to 20 m.
- Column length: 320 mm.

PVA AISI 316

- Vertical centrifugal cantilever pumps.
- Made of AISI 316.
- Capacity up to 24 m³/h.
- Head up to 26 m.
- Especially designed for the production of PCBs.



MATERIALS IN CONTACT WITH THE LIQUID		
PART NUMBER - DESCRIPTION	VERTICAL PUMPS	
	HV	HVL
1 - PUMP HEAD	PP or PVDF	PP or PVDF
2 - O-RING	EPDM or VITON	EPDM or VITON
3 - SHAFT COVERING/ GUIDE SHAFT COV.	PP	PP
4 - COVER	PP or PVDF	PP or PVDF
5 - BUSHING	PTFEC	PTFEC
6 - WEAR BUSHING	Al ₂ O ₃	Al ₂ O ₃
7 - IMPELLER	PP or PVDF	PP or PVDF
8 - COLUMN	PP or PVDF	PP or PVDF



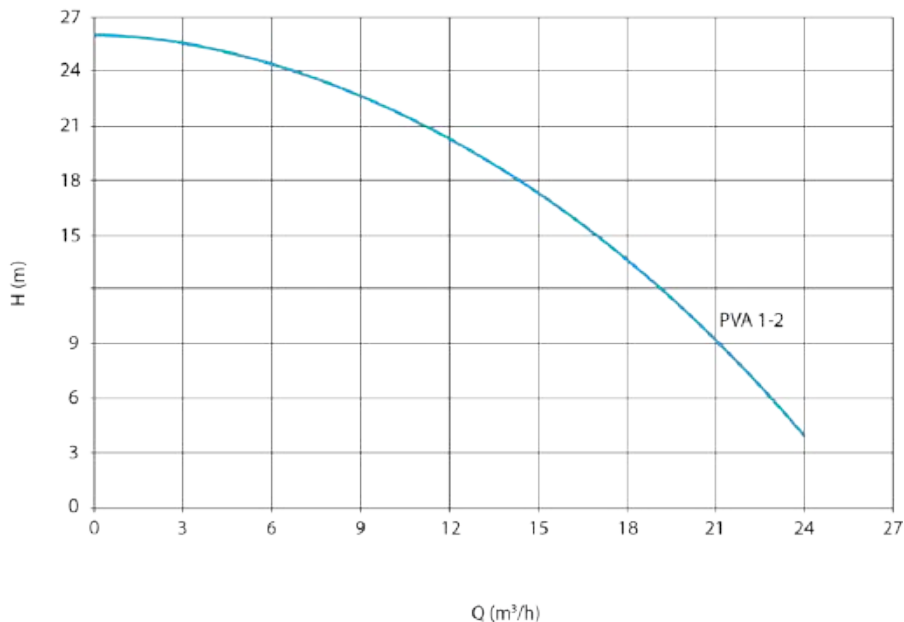
CENTRIFUGAL VERTICAL CANTILEVER PUMPS



MAIN FEATURES

- **Materials available:** AISI 316.
- **Max flow:** 24 m³/h; **Max head:** 26 m.
- Fume labyrinth seal. A combined system of labyrinth, rings and PTFE lip seal guarantees tightness against gas and vapours.
- Impeller with low axial thrust.
- **Suitable for corrosive liquids containing solids.**
- Especially **designed for use in the production of printed circuit boards (PCB).**
AISI 316 version is suitable for potassium permanganate applications at 90°C.
- **Two different types available:** PVA 1 for tank transfer and PVA 2 used as a boosting pump. PVA 2 model should be installed in the same tank where PVA 1. This provides a tight system which prevents any leaks.

PERFORMANCE CURVES 50Hz - 2900 RPM





GEMMECOTTI SRL

Via Po 23-25-27
20031 Cesate MILANO | ITALY
EUROPEAN UNION

Ph: +39 02.96460406
info@gemmecotti.com



www.gemmecotti.com

